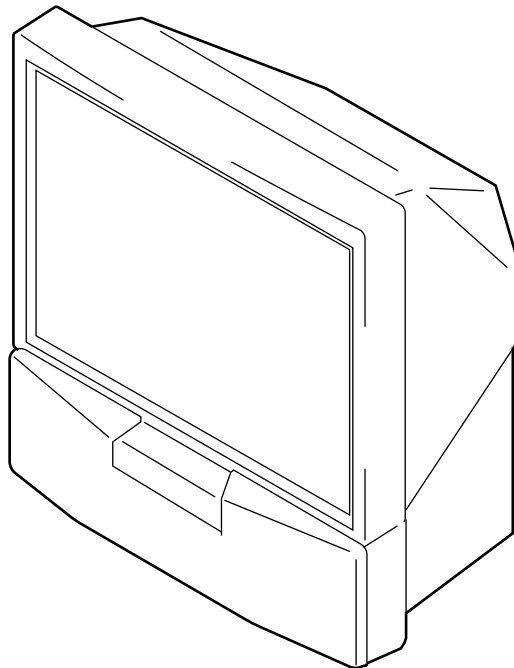
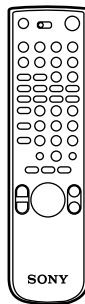


SERVICE MANUAL

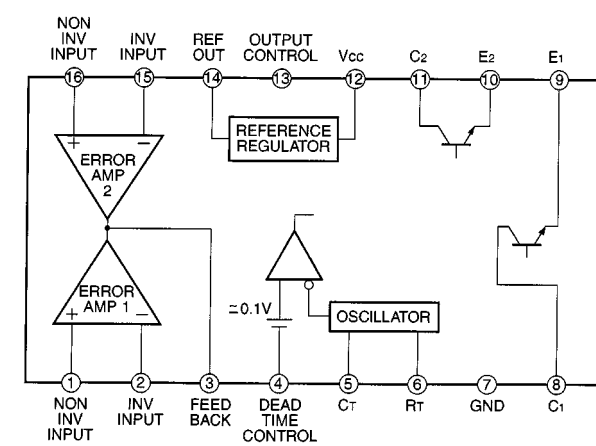
RE-2 CHASSIS

<u>MODEL</u>	<u>COMMANDER</u>	<u>DEST.</u>	<u>CHASSIS NO.</u>	<u>MODEL</u>	<u>COMMANDER</u>	<u>DEST.</u>	<u>CHASSIS NO.</u>
<i>KP-41S5</i>	<i>RM-862</i>	<i>AEP</i>	<i>SCC-N60C-A</i>	<i>KP-41S5K</i>	<i>RM-862</i>	<i>OIRT</i>	<i>SCC-N62D-A</i>
<i>KP-41S5B</i>	<i>RM-862</i>	<i>French</i>	<i>SCC-N63B-A</i>	<i>KP-41S5R</i>	<i>RM-862</i>	<i>Russian</i>	<i>SCC-N62C-A</i>
<i>KP-41S5G</i>	<i>RM-862</i>	<i>Greek</i>	<i>SCC-N60D-A</i>	<i>KP-41S5U</i>	<i>RM-862</i>	<i>UK</i>	<i>SCC-N61B-A</i>

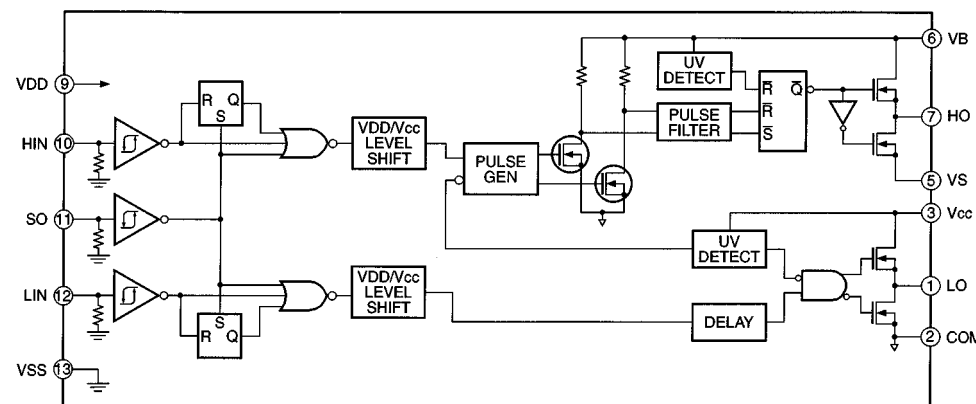


* Please file according to model size.

G BOARD : IC6004 IR3M02



G BOARD : IC6007 IR2112



G BOARD IC VOLTAGE LIST

REF.	NO.	VOL.
●IC6001	1	GND
	2	GND
	3	GND
	4	5.9
	5	296.0
	8	GND
●IC6004	1	3.9
	2	4.8
	4	GND
	5	1.7
	6	3.9
	7	GND
	8	14.1
	9	5.8
	10	6.4
	11	14.4
	12	14.5
	13	5.3
	14	5.3
	15	5.3
	16	GND
IC6005	1	7.0
	2	5.8
	3	13.5
	4	13.8
IC6006	1	14.0
	2	13.0
	3	GND
	4	3.0
●IC6007	1	6.2
	2	GND
	3	14.5
	5	147.0
	6	150.0
	7	150.0
	9	14.5
	10	6.4
	11	GND
	12	5.8
	13	GND
IC6008	1	134.5
	2	12.5
	3	GND

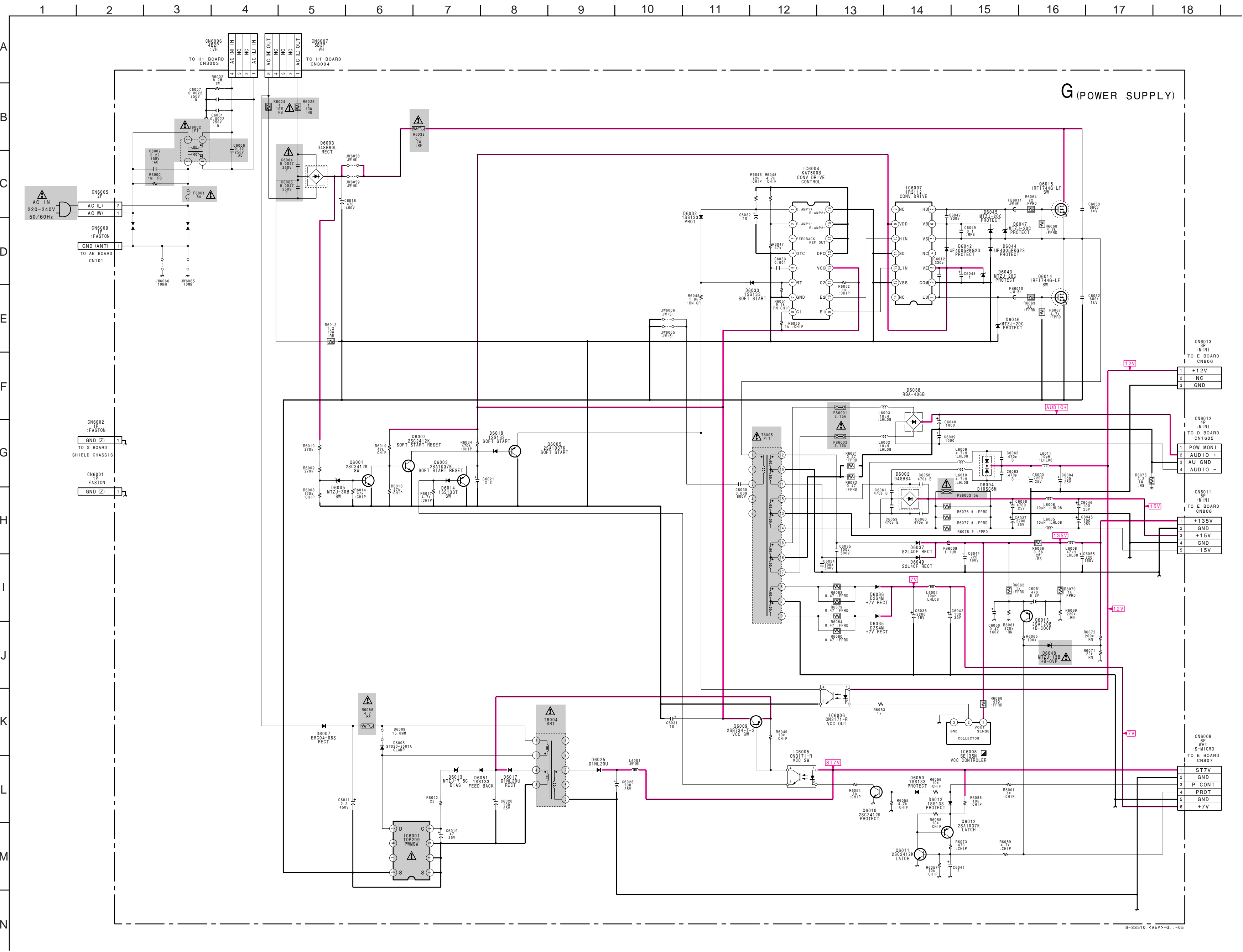
All voltages are in V.
 *All voltages are in V.
 *Pin numbers which are not described are not used.
 ●: The figures in the parentheses are the voltage difference from primary side ground.

G BOARD TRANSISTOR VOLTAGE LIST

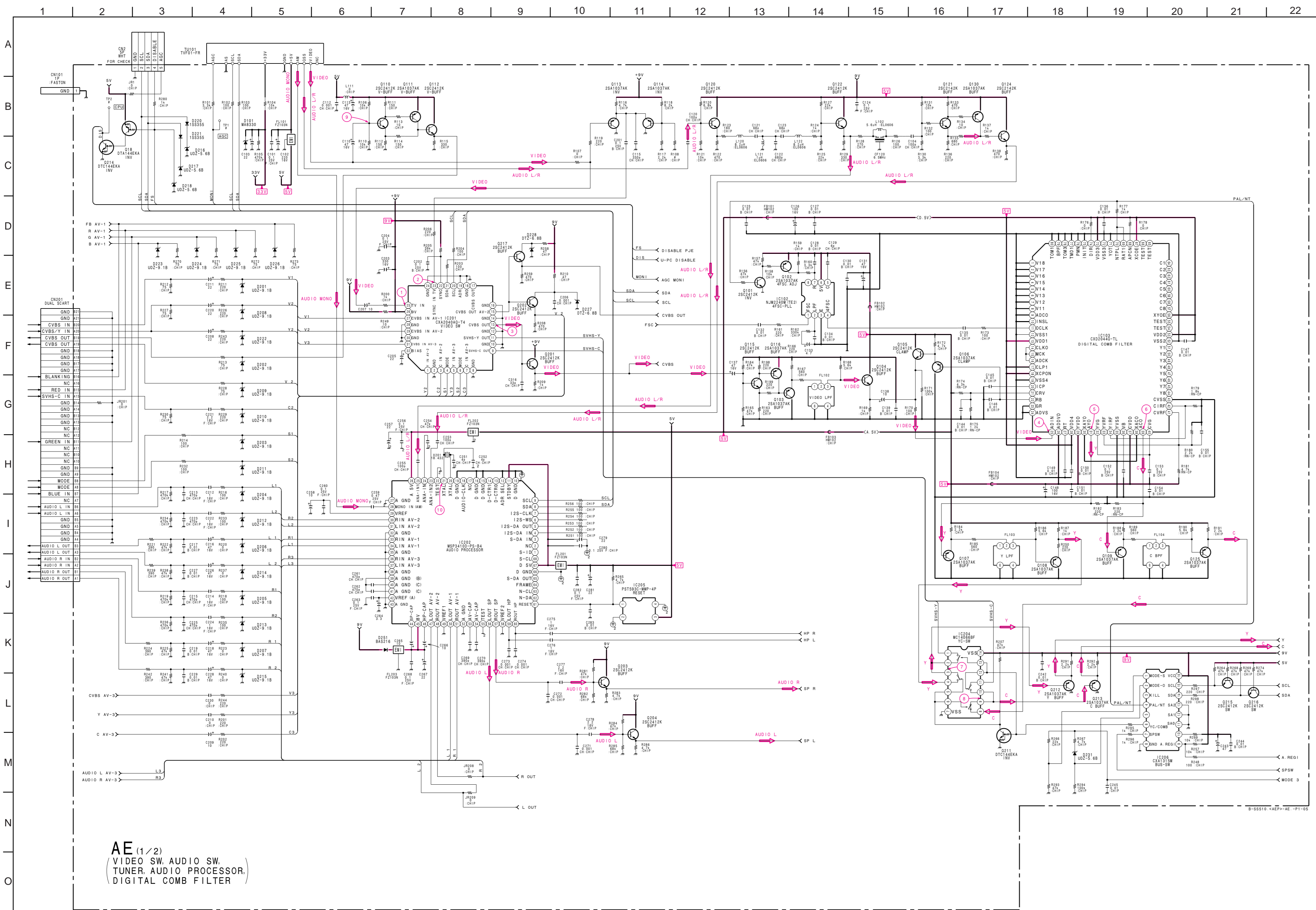
REF.	VOL.
●Q6001	B 0.8
	C 0
	E 0
●Q6002	E GND
●Q6003	E 13.8
	C GND
	B 5.1
●Q6005	B 0.7
	C GND
●Q6009	E 14.5
	C 14.5
	B 0.7
Q6010	E GND
	C 0.1
Q6011	B 0
	E GND
	C 7.0
Q6012	B 7.0
	E 7.0
	C 0
Q6013	B 134.8
	E 135.1
	C 0
●Q6014	D 147.0
	G 150.0
	D 292.0
●Q6015	S 147.0

All voltages are in V.
 ●: The figures in the parentheses are the voltage difference from primary side ground.

Schematic diagram
 G board

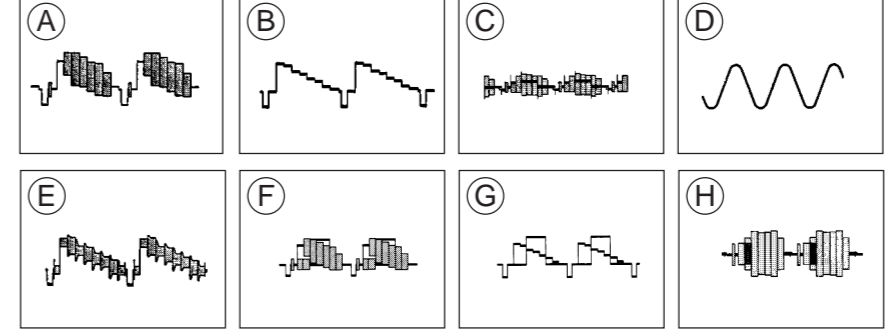


B-55510-4-EP3-D-05



AE (1/2)
 VIDEO SW. AUDIO SW.
 TUNER. AUDIO PROCESSOR.
 DIGITAL COMB FILTER

• AE(1/2) BOARD WAVEFORMS



• WAVEFORMS AE(1/2) BOARD

CIRCUIT WAVEFORM REFERENCE	PAL	SECAM	NTSC
1	A 1.1Vp-p(8)	E 1.2Vp-p(8)	F 1.6Vp-p(8)
2	A 0.9Vp-p(8)	E 1.0Vp-p(8)	F 0.9Vp-p(8)
3	A 1.0Vp-p(8)	E 1.2Vp-p(8)	F 1.5Vp-p(8)
4	A 1.7Vp-p(8)	E 1.8Vp-p(8)	F 2.2Vp-p(8)
5	B 1.3Vp-p(8)	B 1.3Vp-p(8)	G 1.6Vp-p(8)
6	C 0.4Vp-p(8)	C 0.4Vp-p(8)	H 1.5Vp-p(8)
7	B 1.1Vp-p(8)	B 1.1Vp-p(8)	H 1.2Vp-p(8)
8	C 0.5Vp-p(8)	C 0.4Vp-p(8)	H 1.2Vp-p(8)
9	A 1.1Vp-p(8)	E 1.2Vp-p(8)	F 1.4Vp-p(8)
10	D 1.6Vp-p(16.4MHz)		

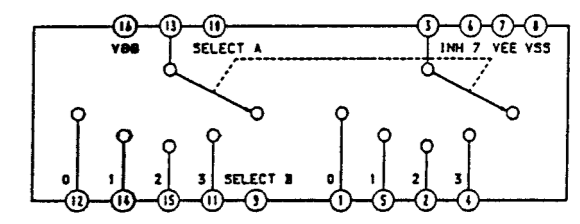
AE(1/2) BOARD IC VOLTAGE LIST

REF.	NO.	VOL.	REF.	NO.	VOL.	REF.	NO.	VOL.
IC102	1	2.4	2	GND	45	8.2		
	2	1.9(2.1)	3	4.3	46	7.1		
	3	GND	4	0.2	47	4.6(-3.9)(-3.9)		
	4	2.9	5	4.2	48	4.5(-3.9)(-3.9)		
	5	3.0	6	0.2	49	GND		
	6	4.7	7	4.3	50	4.6(-3.9)(-3.9)		
	7	3.4	8	GND	51	4.5(-3.9)(-3.9)		
IC103	1	GND	9	4.3	52	GND		
	2	GND	10	GND	53	4.7(-3.9)(-3.9)		
	3	GND	11	4.3	54	4.7(-3.9)(-3.9)		
	4	GND	12	GND	55	GND		
	5	GND	13	4.3	56	0		
	6	GND	14	GND	57	0		
	7	GND	15	4.3	58	GND		
	8	GND	16	GND	59	0.2		
	9	GND	18	GND	60	0.2		
	10	GND	19	GND	61	4.7		
	11	2.3	20	GND	66	GND		
	12	GND	21	4.5	67	4.8		
	13	4.5	22	4.6	IC203	1	4.3	
	14	2.0	23	3.2	2	GND		
	15	2.0	24	GND	3	4.4(-3.8)(-3.8)		
	16	2.0	25	4.3	4	GND		
	17	4.5	26	8.5	5	4.5(-4.5)(-3.8)		
	18	4.5	27	4.3	6	GND		
	19	GND	28	GND	7	GND		
	20	0	29	GND	8	GND		
	21	1.1	30	GND	9	GND		
	22	0.6	31	4.3	10	8.9		
	23	GND	32	4.3	11	GND		
	24	GND	33	2.5	12	4.3		
	25	1.2	IC202	5	2.6(-4.4)(-2.4)	13	4.4(-3.8)(-3.8)	
	26	4.5	6	2.4	14	4.4(-3.8)(-3.8)		
	27	2.3	7	2.4	15	GND		
	28	4.5	8	1.5	16	8.9		
	29	4.5	9	4.7(-4.4)	17	4.3		
	30	GND	10	GND	18	GND		
	31	0.6(0.8)	11	4.8	19	2.6(2.8)		
	32	2.6	12	GND	20	2.6(2.8)		
	33	1.5	13	4.7	21	4.7		
	34	1.5	14	GND	22	6.8		
	35	GND	15	GND	23	7		
	36	0.9	16	GND	24	2.3		
	37	4.5	17	4.5	25	2.3		
	38	GND	21	2.3	26	2.3		
	39	0.8	22	GND	27	2.3		
	40	2.6	23	0.5(-0.9)	28	4.3		
	41	GND	24	1.6	29	4.3		
	42	1.5	25	1.6	30	9.0		
	43	GND	26	4.8	IC205	1	4.7	
	44	GND	27	GND	2	GND		
	45	4.5	28	3.9	3	4.7		
	46	4.5	29	4.5	4	4.5		
	47	5.0(-4.5)(-4.8)	30	3.9	IC206	1	0	
	48	4.5	31	3.9	2	0(-0.2)(0.2)		
	49	0.5	32	GND	3	5.0		
	50	0.5	33	GND	4	3.9		
	51	GND	34	3.9	5	0.5		
	52	GND	35	GND	6	0.5		
	53	5.0	36	3.8	7	0.5		
	54	5.0(4.5)	37	3.9	8	GND		
	55	GND	38	GND	9	8.8		
	56	GND	39	3.9	10	3.9		
	57	GND	40	3.9	11	GND		
	58	GND	41	3.9	12	GND		
	59	GND	42	3.8	13	GND		
	60	GND	43	GND	14	4.4(-4.1)		
	61	GND	44	7.2	15	4.7(-4.2)		
	62	GND			16	8.9		
IC201	1	4.2						

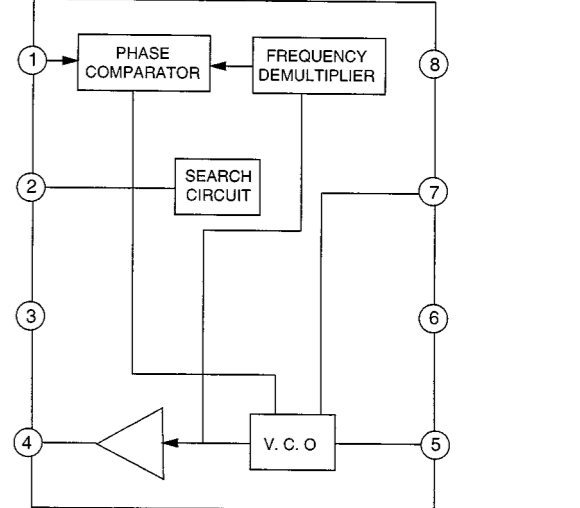
AE(1/2) BOARD TRANSISTOR VOLTAGE LIST

REF.	VOL.	REF.	VOL.
Q18	B 4.8	Q124	E 4.7
	C 4.9		C 9.0
Q101	B 0.6	Q125	B 1.7
	E 4.8		C GND
	C 4.6		C 8.9
Q102	E 4.7	Q130	E 9.0
	C 4.6		C 5.4
	E 2.3		C 3.7
Q103	E 2.8	Q201	E 3.6
	C GND		C 8.6
Q104	B 2.9	Q202	B 4.3
	E 2.3		E 3.7
	C 4.5		C 7.3
Q105	E 1.2	Q203	E 3.8
	B 0.5		C 8.9
	B 0.5		B 4.4
Q106	E 1.1	Q204	E 3.8
	C GND		C 8.9
	B 0.6(0.8)	Q205	B 0
Q107	E 4.7	Q206	E GND
	C GND		C 8.9
	B 1.5		B 3.7
Q108	E 2.2	Q206	E 4.3
	C GND		C GND
	B 0.7		B 3.7
Q109	E 1.4	Q207	E 4.3
	C GND		C GND
	B 2.3		B 8.2
Q110	E 1.7	Q208	E 9.0
	C 4.1		C 9.0
Q111	B 4.1	Q209	E GND
	E 4.7		C 0
	C 2.6		B 0
Q112	E 1.9	Q210	E GND
	C 4.7		C 0.7
	C 2.6		B 1.7
Q113	E 2.3	Q211	E GND
	C GND		C 8.9
Q114	B 1.8	Q212	B 2.6
	E 2.3		E 3.3
	C GND		C GND
Q115	E 2.0	Q213	E 2.3
	B 1.4		B 2.3
	C 4.0		C 4.0
Q116	E 4.6	Q214	E GND
	C 2.1		C 2.6
Q120	B 5.2	Q215	B 4.9(-4.7)
	E 4.5		E 4.7(-4.2)
	B 4.0		C 4.2(-4.6)
Q121	E 1.6	Q216	E 4.4(-4.1)
	C 8.3		C 4.2(-4.6)
	B 4.1		B 4.2(0K)
Q122	E 3.5	Q217	E 3.7
	C 9.0		C 7.2

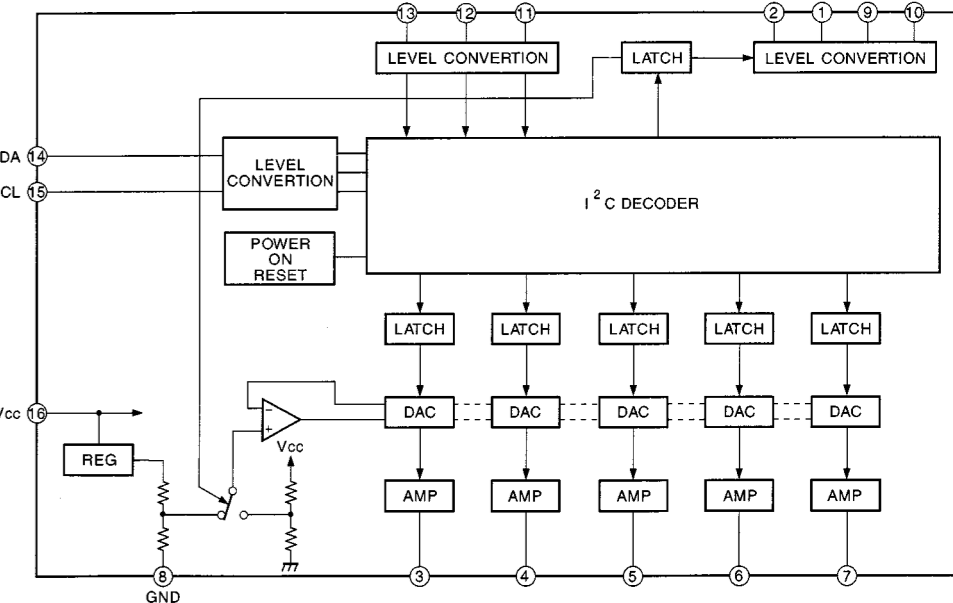
AE(1/2) BOARD : IC203 MC14052BDR2



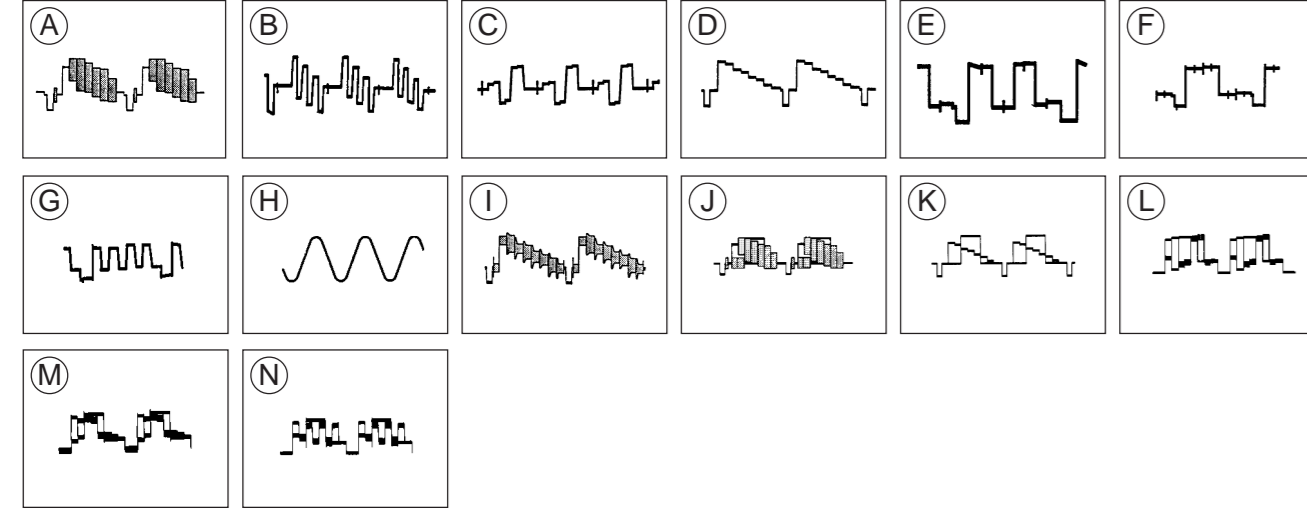
AE(1/2) BOARD : IC102 NJM2240M(TE2)



AE(1/2) BOARD : IC206 CXA1315M



• AE(2/2) BOARD WAVEFORMS



• WAVEFORMS AE(2/2) BOARD

CIRCUIT WAVEFORM REFERENCE	PAL	SECAM	NTSC
1	A 1.0Vp-p(H)	I 1.2Vp-p(H)	J 1.6Vp-p(H)
2	C 0.6Vp-p(H)	C 1.0Vp-p(H)	C 0.4Vp-p(H)
3	B 0.6Vp-p(H)	B 1.5Vp-p(H)	B 0.4Vp-p(H)
4	B 1.3Vp-p(H)	B 1.1Vp-p(H)	B 1.0Vp-p(H)
5	C 1.1Vp-p(H)	C 1.5Vp-p(H)	C 0.6Vp-p(H)
6	A 1.0Vp-p(H)	I 1.2Vp-p(H)	J 1.6Vp-p(H)
7	D 1.8Vp-p(H)	D 2.2Vp-p(H)	K 2.2Vp-p(H)
8	E 3.6Vp-p(H)	E 3.9Vp-p(H)	L 3.9Vp-p(H)
9	F 3.6Vp-p(H)	F 3.9Vp-p(H)	M 3.9Vp-p(H)
10	G 3.4Vp-p(H)	G 3.7Vp-p(H)	N 3.9Vp-p(H)
11	H 3.4Vp-p(1.5MHz)		
12	H 3.7Vp-p(2.49MHz)		

AE(2/2) BOARD IC VOLTAGE LIST

REF	NO.	VOL.	REF	NO.	VOL.	REF	NO.	VOL.
IC1	2	0	4	GND		36	8.9	
	3	5.0	5	4.4-4.6		37	3.2	
	4	5.0	6	4.2-4.4		38	3.4	
	5	5.0	7	4.9		39	4.7	
	6	0	8	5.0		40	4.2	
	7	0.8	1	5.0		41	2.4	
	8	0.1	2	*		42	GND	
	9	0.1	3	*		43	1.8	
	10	0	4	*		44	8.9	
	11	1.8	5	1.9		45	2.5	
	12	GND	6	*		46	4.0	
	13	5.0	7	2.8		47	3.2	
	14	2.4	8	2.5		48	4.4	
	15	2.3	9	2.2		49	6.4	
	16	4.6(5.0)	10	2.5		50	4.5	
	17	1.7	11	2.5		51	3.9(4.5)	
	18	0	12	2.5		52	4.2(3.9)	
	19	3.0	13	2.1		53	4.0(4.2)	
	20	0	14	2.0		54	5.0	
	21	2.5(2.9)	15	2.1		55	4.0	
	22	1.0	16	GND		57	4.2	
	23	3.5(3.2)	17	1.9(1.7-1.9)		58	8.9	
	24	3.2	18	2.8		60	5.5-4.7-4(5.8)	
	25	2.2(1.8)	19	2.9		61	2.4(1.4)	
	26	2.4	20	2.7		62	7.4(5.9)	
	27	2.6	21	3.0		63	GND	
	28	3.0	22	GND		64	5.3	
	29	2.7	23	GND	IC302	1	4.9	
	30	2.7	24	GND		3	GND	
	31	2.6	25	*		4	GND	
	32	2.7	26	*		8	4.6	
	33	2.7	27	*		8	GND	
	34	2.6	28	*		9	4.9	
	35	2.6	29	0.9		10	GND	
	36	3.0	30	0		31	3.1	
	37	2.5	31	5.0		12	3.0	
	38	2.8	32	5.0		14	1.4	
	39	2.2	1	5.0	IC4	1	1.4	
	40	2.8	2	GND		1.6-4.9-1(1.2)		
	41	0.9(2.1)	3	5.0	IC303	5	8.1	
	42	5.0(3.0)	4	GND		6	GND	
	43	2.5(2.1)	1	1.6-4.9-1(1.6)		9	3.5(3.2)	
	44	4.2(1.7)	2	GND		10	4.3	
	45	GND	3	GND		11	3.1	
	46	GND	3	5.7-3.0-1(5.7)		12	5.7-3.0-1(5.7)	
	47	5.0	4	5.7-3.0-1(5.7)		12	5.7-3.0-1(5.7)	
	48	0	5	3.7		19	0.7	
	49	0	6	5.0		20	3.6	
	50	0	7	1.3	IC1001	4	0.9	
	51	0.8	8	5.5		5	1.3	
	52	0.4(5)	9	GND		6	1.6	
	53	0.4(4)	10	0.7		7	1.8	
	54	0.6(1.3)	11	0.1		9	GND	
	55	0.2(3)	12	5.5		10	0.9(1.1)	
	56	0	13	5.5		11	4.8	
	57	3.9	14	5.5		12	4.8	
	58	4.8	15	0		13	GND	
	59	0.8(0.1)	16	0		16	4.2	
	60	5.0	17	5.5		17	0.1	
	61	0	18	5.5		21	4.8	
	62	3.9	19	5.5		23	2.9	
	63	3.8(2.3)	19	5.5		25	4.2	
	64	GND	20	8.9		44	GND	
	65	0	21	4.4		49	GND	
	66	0	22	1.8-2.0-1(1.8)		49	GND	
	67	0	23	4.4		55	GND	
	68	5.0	24	1.7-1.9-1(1.7)		56	0	
	69	4.9	25	4.5		58	GND	
	70	0	26	1.6-1.9-1(1.8)		59	GND	
	71	0	27	4.9(4.4)		60	GND	
	72	5.0	28	4.4-2.8-1(3.5)		61	0	
	73	4.9	29	8.3		62	0	
	74	0.4(7)	30	0.6		63	0	
	75	5.0(4.6)	31	3.0		64	0	
	76	5.0(4.7)	32	3.0		66	4.3-4.8-1(4.7)	
	77	5.0(3.0)	33	4.1		67	4.1(4.7)	
	78	0	34	4.0		68	3.5-3.0-1(3.0)	
	79	0.8	35	4.6				
	80	5.0						
	1	GND						
	2	GND						
	3	GND						

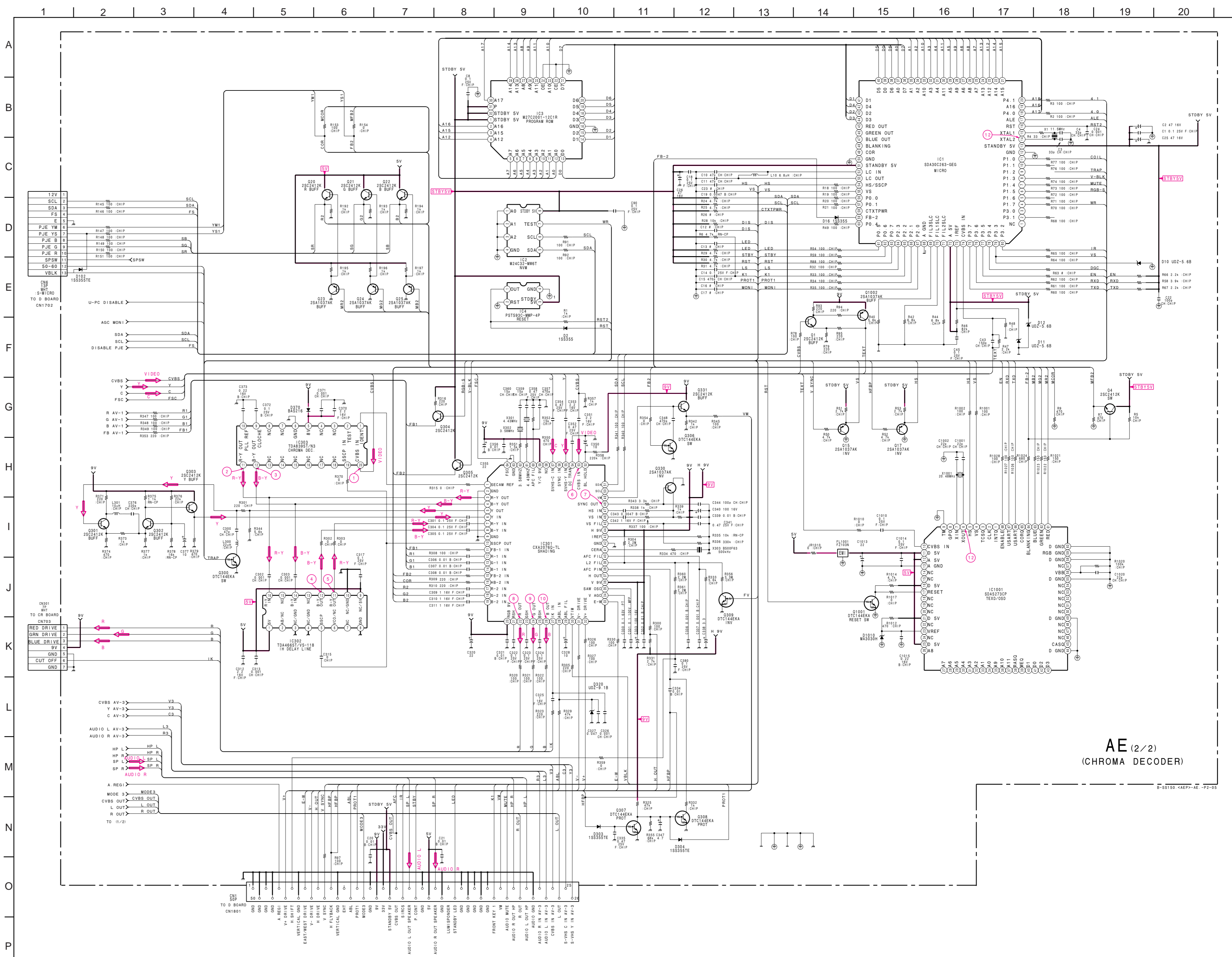
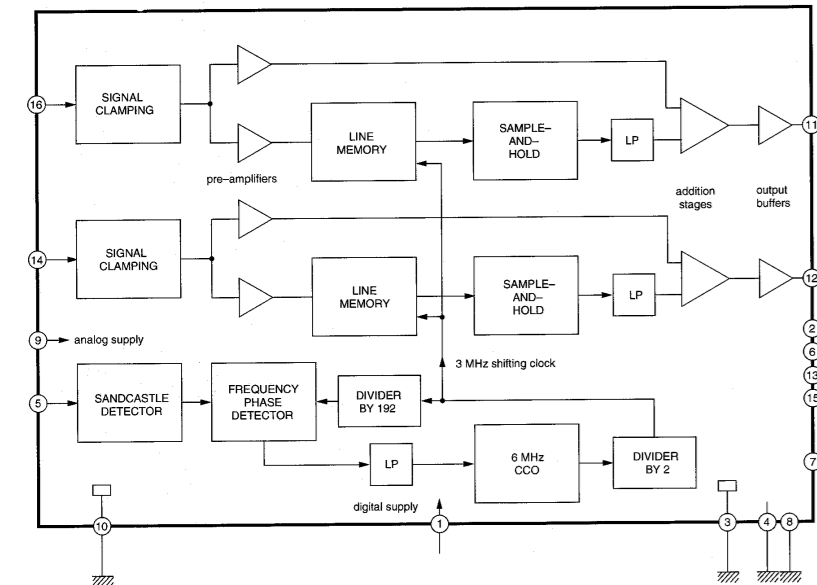
*All voltage are in V.
 *Can not measured.
 *Pin numbers which are not defined are not used.

AE(2/2) BOARD TRANSISTOR VOLTAGE LIST

REF	VOL.	REF	VOL.
Q1	B 3.6	Q302	E 3.0
	E 3.0		C 5.7
Q4	B 0.4	Q303	E 5.1
	C 8.2		C 5.0
Q15	E 0.8	Q304	B 0
	C GND		C 5.0
Q17	E 1.4	Q305	E 0
	C GND		C 5.0
Q20	B 0.7	Q306	B 0
	C 4.9		C 0.2
Q21	E 0.2	Q307	E GND
	C 4.7		C 0
Q22	E 0.2	Q308	E GND
	C 4.8		C 3.4
Q23	B 0	Q309	B 0(4.9)
	C GND		C 3.6(0)
Q24	E 0.7	Q330	E 5.1(5.3)
	B 0		B 6.4
Q25	E 0.7	Q331	E 5.7
	C GND		C 8.9
Q300	E GND	Q1001	E GND
	B 3.7		C 0.1
Q301	E 3.0	Q1002	C 9.0
	C 7.5		C 5.3

All voltages are in V.

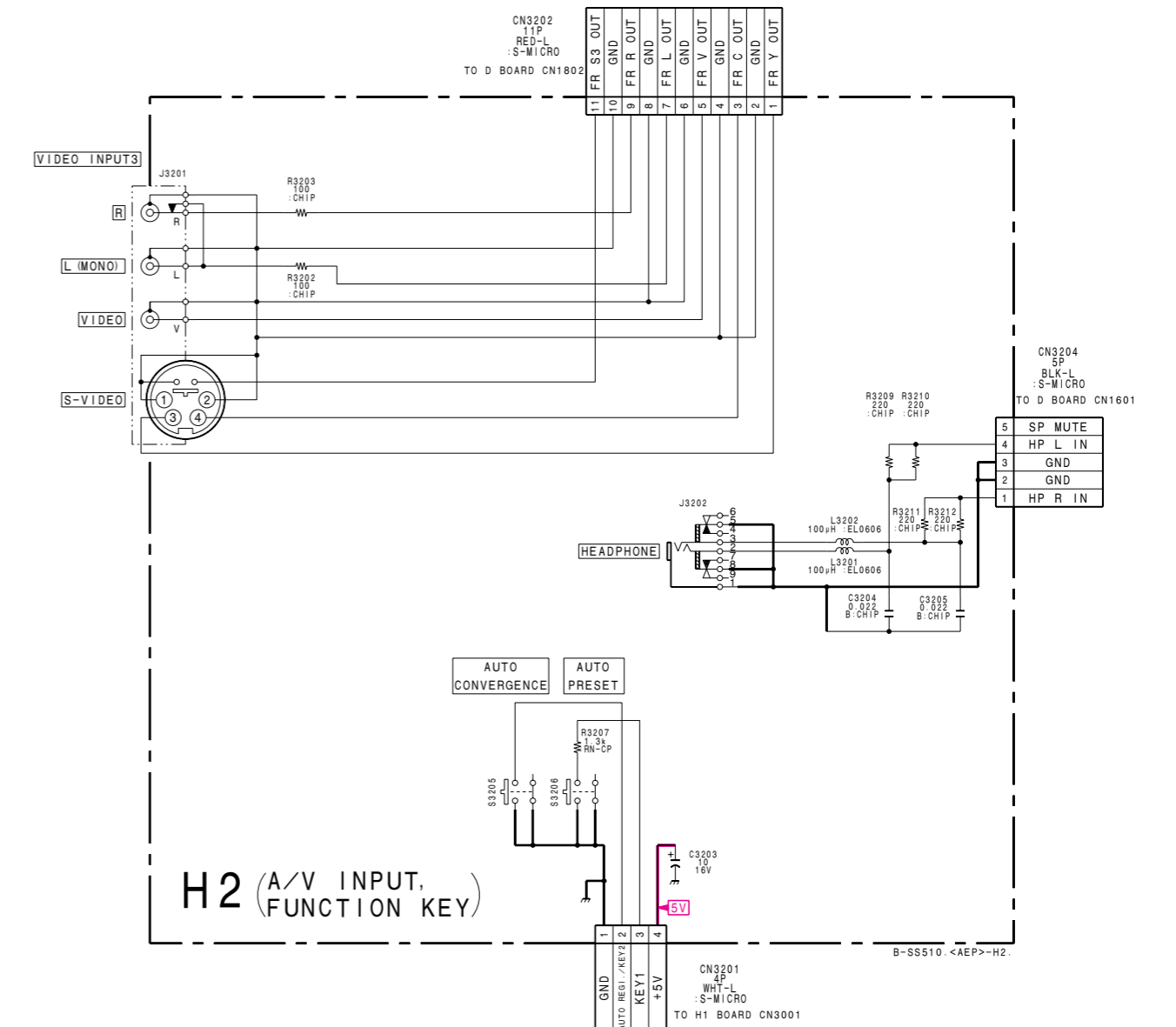
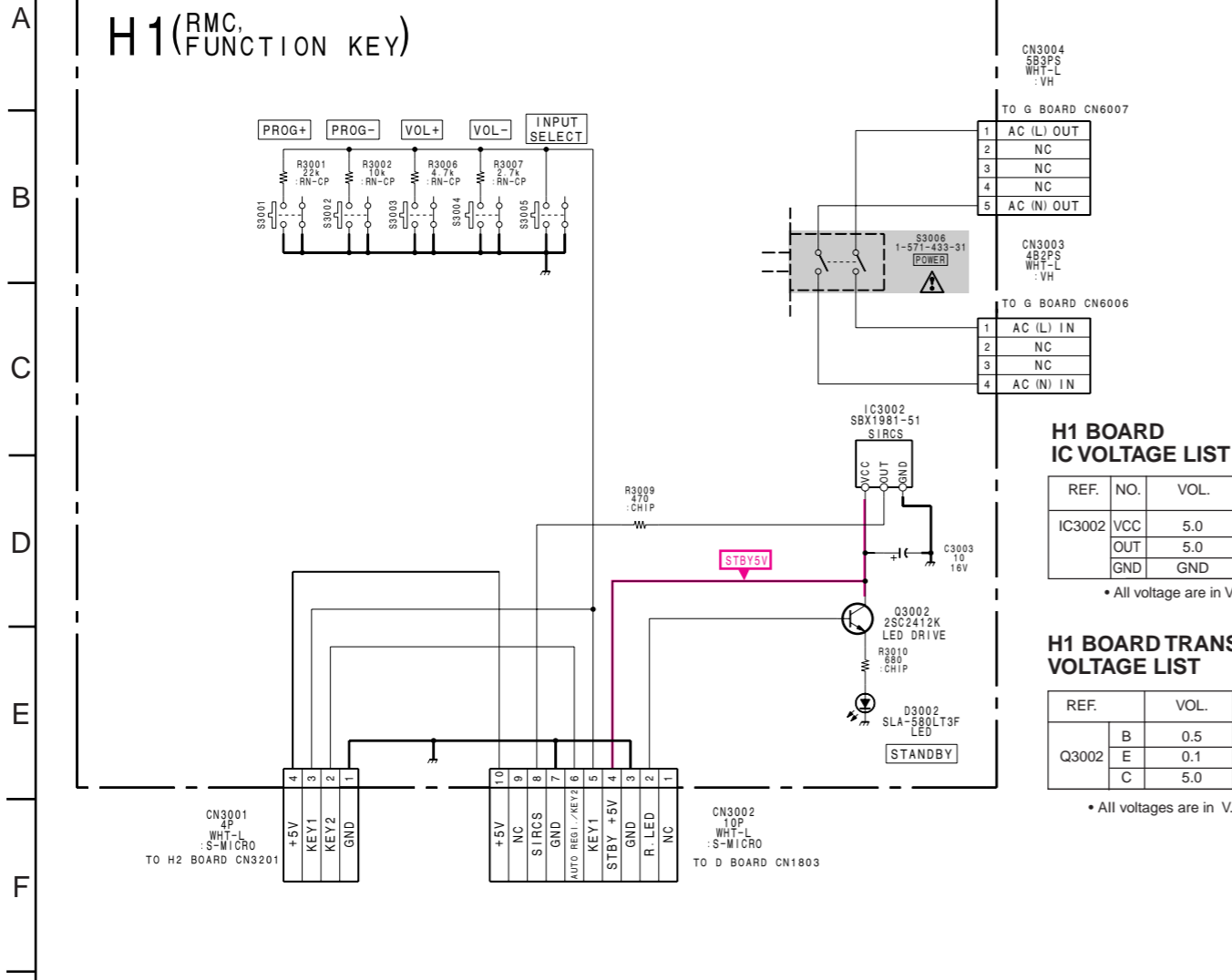
AE(2/2) BOARD : IC302 TDA4665T



AE(2/2)
(CHROMA DECODER)

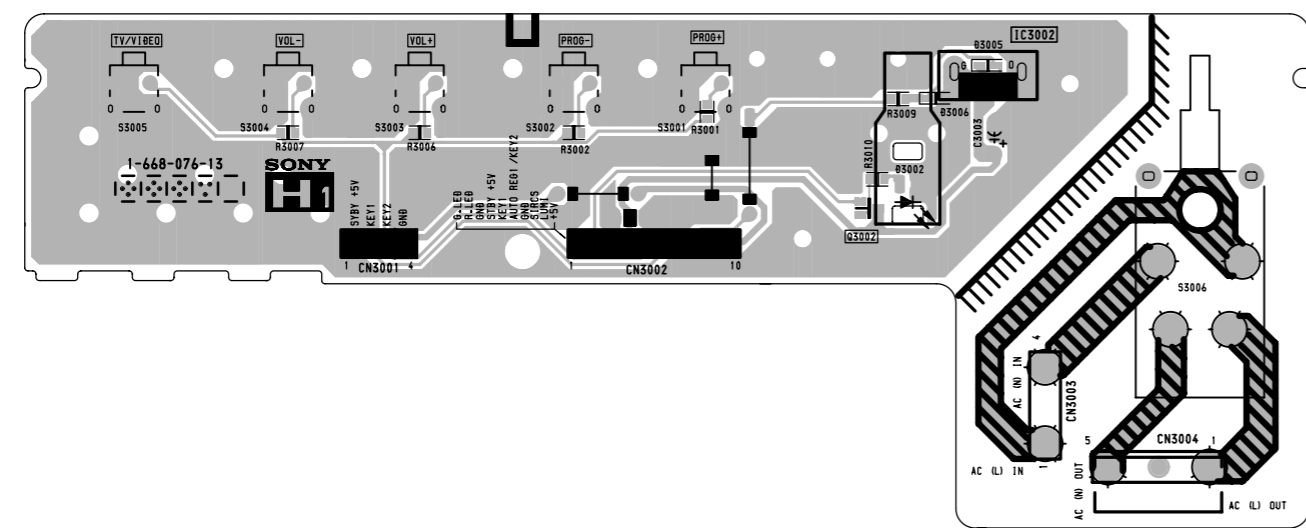
© 1985 SONY ELECTRONICS INC.

1 2 3 4 5 6 7 8 9 10 11 12 13 14 15



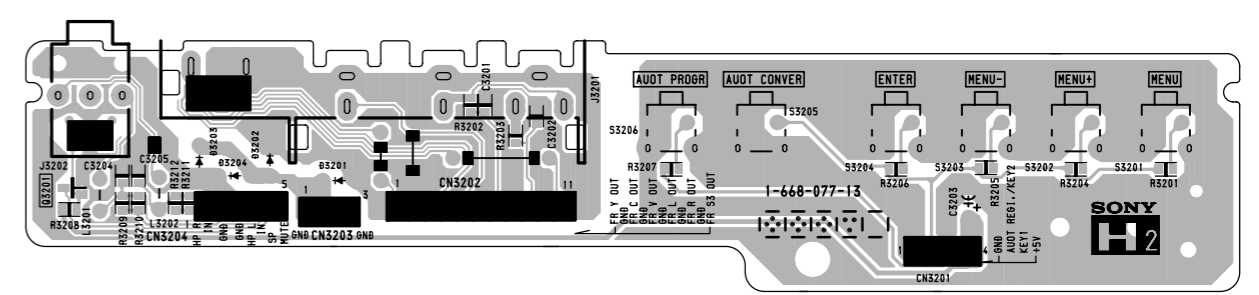
H1 [FUNCTION KEY, RMC]

– H1 Board –

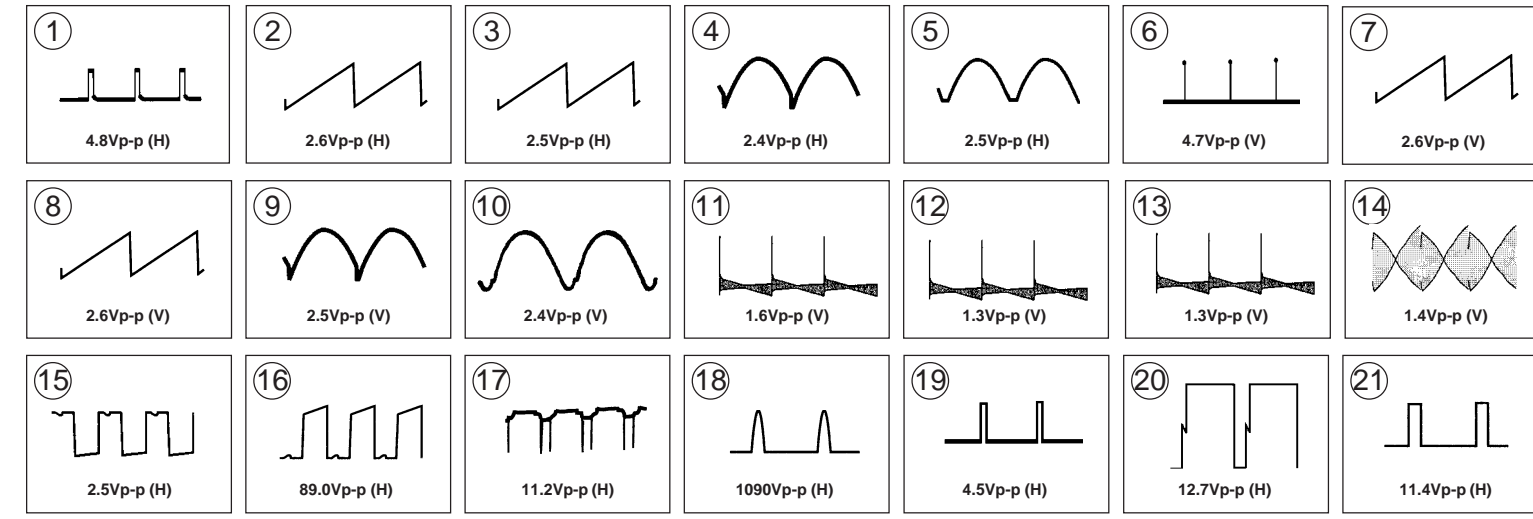


H2 [A/V INPUT, FUNCTION KEY]

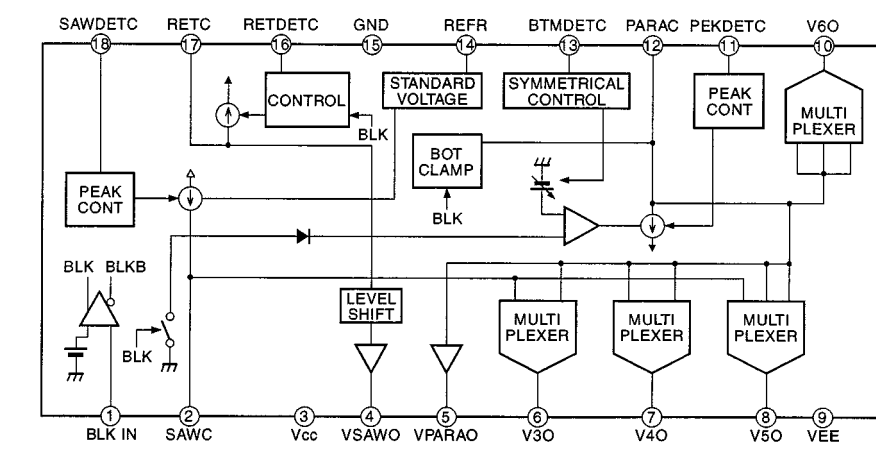
– H2 Board –



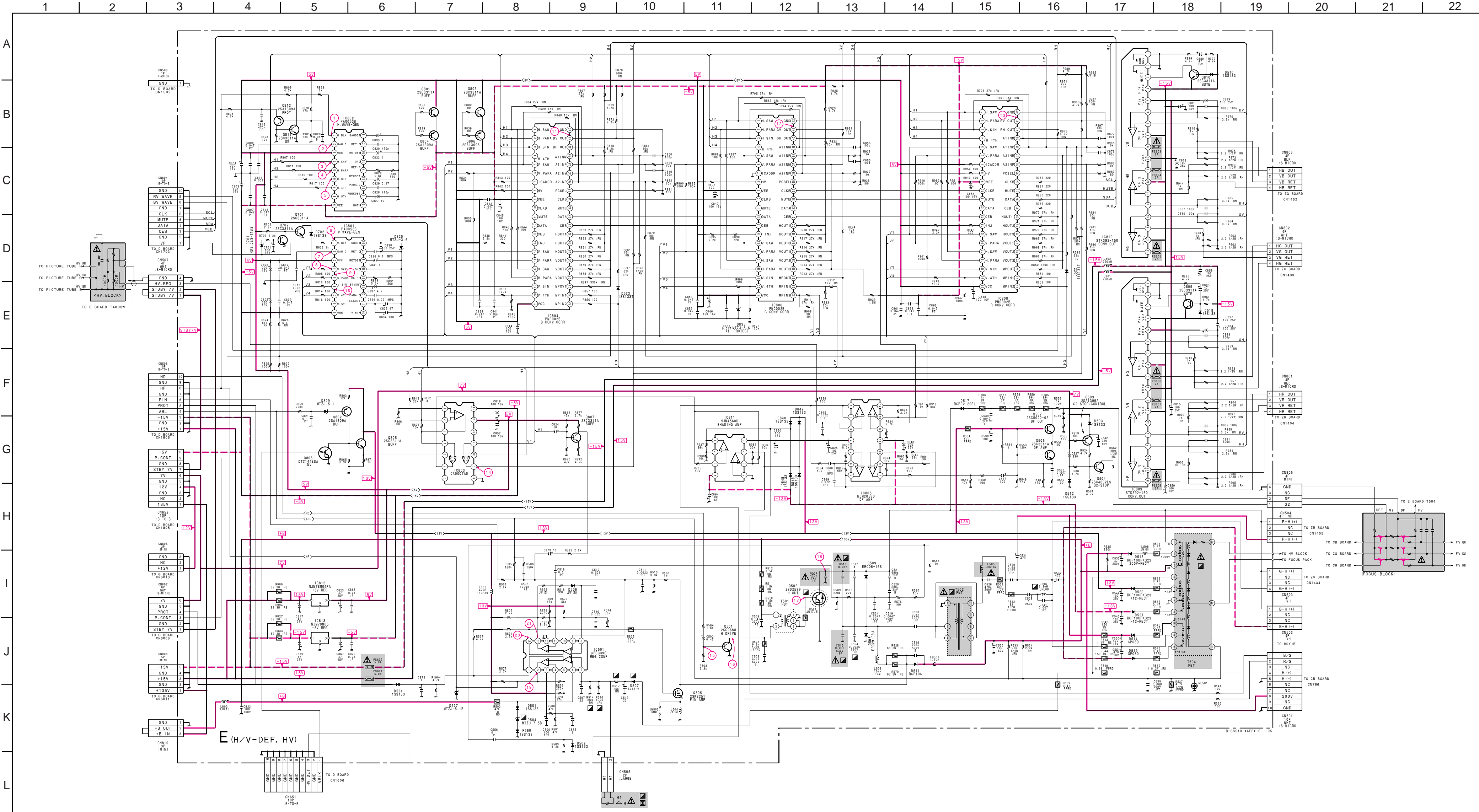
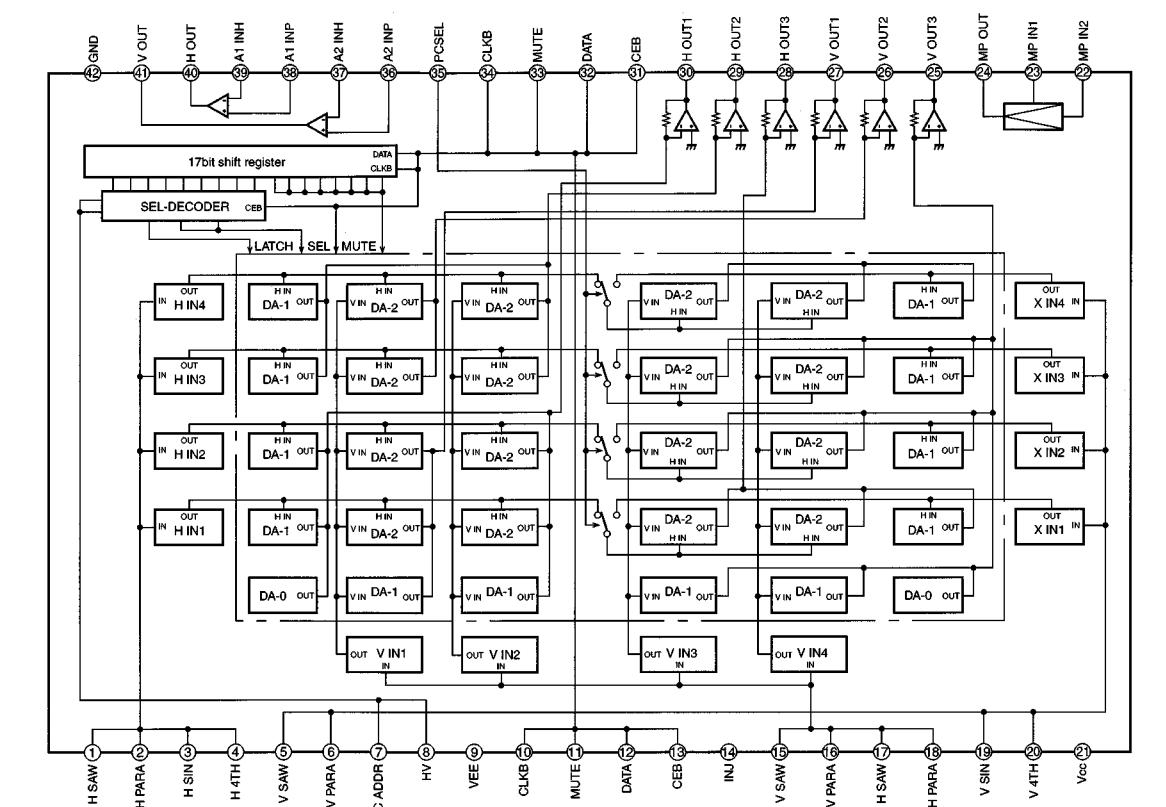
• E BOARD WAVEFORMS



E BOARD : IC801,802 PA0053B



E BOARD : IC804,806,808 PM0002B



E BOARD IC VOLTAGE LIST

REF. NO.	VOL.	REF. NO.	VOL.	REF. NO.	VOL.
IC501	1 0.1	28 0.1	11 5.0		
	2 0.7	29 -0.1	12 0.2		
	3 12.2	30 -0.5	13 4.6		
	4 6.1	31 4.6	14 -2.0		
	5 1.8	32 0.2	15 0		
	6 8.3	33 5.0	16 0.8		
	7 7.9	34 4.7	17 0		
	8 1.6	35 0.1	18 -0.8		
	9 2.5	36 0.1	19 0.1		
	10 4.5	37 0	20 -0.5		
	11 1.8	38 0.1	21 5.0		
	12 GND	39 0	22 0		
	13 1.6	40 0.2	23 0		
	14 10.1	41 0	24 0.1		
IC801	1 0.2	42 GND	25 -0.1		
	2 1.1	IC805	26 0.1		
	3 5.0		27 0		
	4 0		28 0.1		
	5 -0.8		29 0.2		
	6 0		30 -0.2		
	7 -1.1		31 4.6		
	8 -5.0		32 0.2		
	9 0.5		33 5.0		
	10 -0.9		34 4.7		
	11 0.3		35 0.1		
	12 1.2		36 0.1		
	13 GND		37 0		
	14 -1.7		38 0.1		
	15 1.2		39 0		
	16 -1.5		40 0.2		
	17 0.4		41 0		
	18 1.1		42 GND		
IC802	1 0.4	IC809	1 GND		
	2 1.1		2 GND		
	3 5.0		3 -13.0		
	4 0		4 -14.2		
	5 -0.8		5 14.3		
	6 0		6 5.0		
	7 -1.1		7 0		
	8 -5.0		8 -14.2		
	9 0.5		9 -0.1		
	10 -0.9		10 14.3		
	11 0.3		11 4.6		
	12 1.2		12 -14.2		
	13 GND		13 0		
	14 -1.7		14 0		
	15 1.2		15 0.3		
	16 -1.5		16 -8		
	17 0		17 -14.2		
	18 0.1		18 0.4		
	19 0.1		19 0.1		
	20 0.9		20 GND		
	21 0		21 -13.0		
	22 0		22 -14.2		
	23 0		23 0.2		
	24 0		24 0.1		
	25 0		25 0.2		
	26 0		26 0.1		
	27 0		27 0		
	28 0.1		28 0.1		
	29 0		29 -0.1		
	30 0		30 0.3		
	31 -0.8		31 4.6		
	32 0		32 0.2		
	33 -1.1		33 5.0		
	34 0		34 4.7		
	35 -0.4		35 0.1		
	36 0		36 0.1		
	37 0		37 0		
	38 -4.9		38 0.1		
	39 0		39 0		
	40 0		40 0.2		
	41 -0.8		41 3		
	42 0		42 GND		
	43 0		43 -12.3		
	44 -0.8		44 0		
	45 0.1		45 GND		
	46 -0.5		46 0		
	47 0		47 0		
	48 5.0		48 -1.1		
	49 0		49 0		
	50 0		50 0.3		
	51 0		51 14.3		
	52 -0.1		52 0		
	53 0		53 GND		
	54 0.1		54 0.5		
	55 0.1		55 0		
	56 0		56 -0.4		
	57 0		57 5.0		
	58 0		58 0		
	59 0		59 -14.2		
	60 0		60 0		
	61 0		61 0.8		
	62 0		62 GND		
	63 0		63 0.2		
	64 0		64 0.6		
	65 0		65 0		
	66 0		66 0.1		
	67 0		67 0.8		
	68 0		68 0		
	69 0		69 0		
	70 0		70 0		
	71 0		71 0		
	72 0		72 0		
	73 0		73 0		
	74 0		74 0		
	75 0		75 0		
	76 0		76 0		
	77 0		77 0		
	78 0		78 0		
	79 0		79 0		
	80 0		80 0		
	81 0		81 0		
	82 0		82 0		
	83 0		83 0		
	84 0		84 0		
	85 0		85 0		
	86 0		86 0		
	87 0		87 0		
	88 0		88 0		
	89 0		89 0		
	90 0		90 0		
	91 0		91 0		
	92 0		92 0		
	93 0		93 0		
	94 0		94 0		
	95 0		95 0		
	96 0		96 0		
	97 0		97 0		
	98 0		98 0		
	99 0		99 0		
	100 0		100 0		

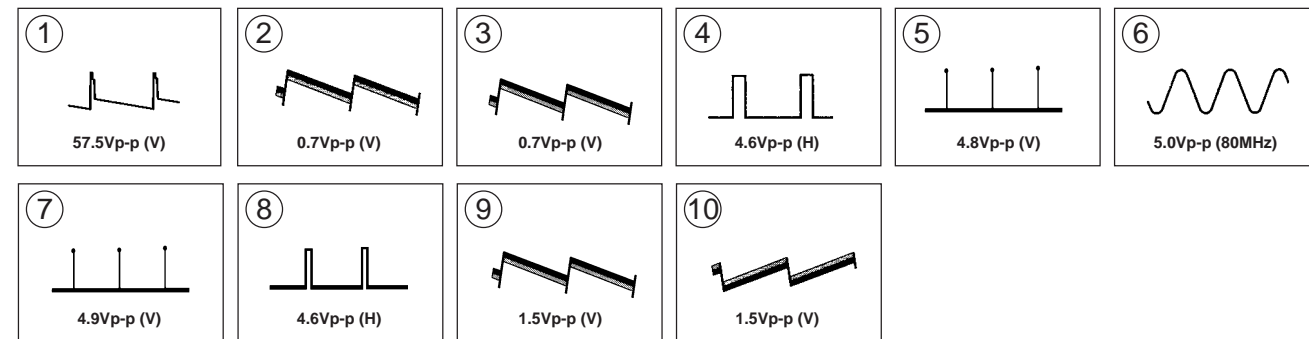
E BOARD TRANSISTOR VOLTAGE LIST

REF.	VOL.	REF.	VOL.
Q501	B -0.6		
	E GND		
	C -8.1		
	B -0.1		
Q502	E GND		
	C 137.5		
	B 6.9		
	E 6.5		
Q503	C 0		
	B 0		
Q504	E 0		
	C 450.0		
	B 1.7		
Q506	E 1.2		
	C 12.3		
	B 12.3		
Q507	E 12.3		
	C 660		
	B 4.1		
Q508	E 3.6		
	C 8.3		
	B 0.7		
Q701	E GND		
	C 0		
Q702	E GND		
	C 4.8		
	B 2.3		
Q801	E 1.8		
	C 5.0		
	B 6.0		
Q802	E 7.5		
	C 1.6		
	B 2.3		
Q803	E 1.9		
	C 5.0		
	B 2.3		
Q804	E 1.9		
	C -5.0		
	B 1.5		
Q805	E 0.9		
	C 12.3		
	B 2.3		
Q806	E 1.9		
	C -5.0		
	B 2.5		
Q807	E 1.9		
	C 4.0		
	B 0.6		
Q808	E GND		
	C 1.5		
	B -14.2		
Q809	E -14.2		
	C -13.1		
	B -14.2		
Q810	E -14.2		
	C -13.1		
	B 0.1		
Q811	E GND		
	C 0.4		
	B 0.6		
Q812	E 0		
	C 0.1		
Q505	G 10.2		
	D 20.0		
	S GND		

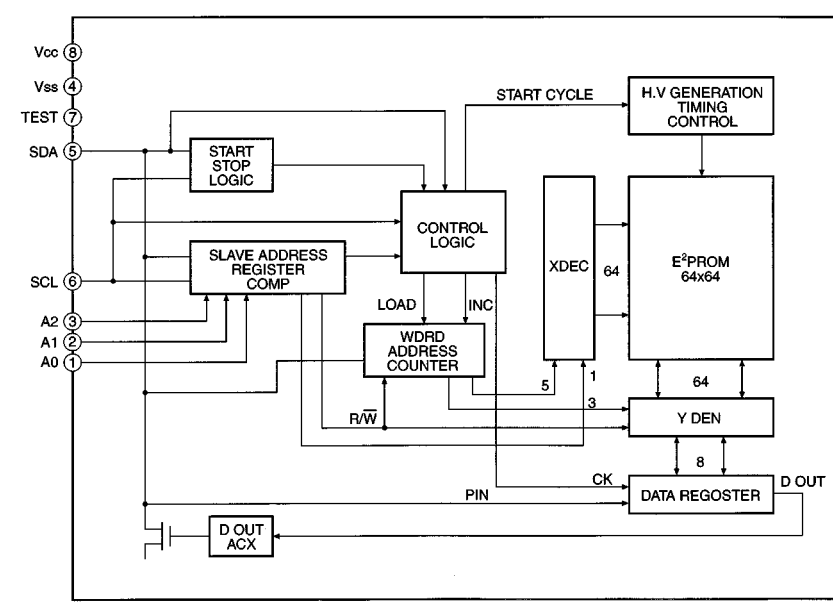
All voltages are in V.

*All voltage are in V.
*Pin numbers which are not described are not used.

• D BOARD WAVEFORMS



D BOARD : IC1702 ST24C08FM6TR



D BOARD IC VOLTAGE LIST

REF.	NO.	VOL.	REF.	NO.	VOL.	
IC1501						
1	1.1	32	0			
2	14.4	34	0.1			
3	-13.1	35	0.1			
4	-14.3	36	2.8			
5	0.2	37	2.8			
6	14.3	38	5.0			
7	1.1	39	5.0			
IC1502						
1	GND	40	GND			
2	0	42	4.9			
3	0	44	4.8			
4	0.1	45	4.8			
5	0.1	46	4.4			
6	0.1	47	4.7			
8	GND	48	4.3			
9	0	49	2.2			
10	0.1	50	2.3			
11	-0.4	51	2.3			
13	5.0	52	2.0			
14	-4.9	IC1702	1	GND		
IC1503						
1	3.1	2	GND			
2	3.1	3	GND			
3	3.1	4	GND			
4	GND	5	4.8			
5	3.0	6	4.8			
6	3.0	7	GND			
7	3.0	8	5.0			
8	5.0	IC1703	1	3.9		
1	0	2	23.0	3	GND	
3	0	4	-14.4	5	GND	
4	20.5	6	0	7	5.8	
5	-23.0	8	0	8	14.6	
6	0	IC1704	1	0.3		
1	4.1	2	0			
2	9.0	3	GND			
3	4.1	4	-14.4			
4	GND	5	GND			
5	0.6	6	0			
6	0	7	2.9			
7	0	8	14.6			
8	0.6	IC1706	2	GND		
1	0.2	3	GND			
2	0	4	4.9			
3	0	5	5.0			
4	4.7	IC1801	1	5.0		
5	5.0	G	GND			
6	0.2	O	7.0			
7	0.2	IC1802	1	6.7		
9	0.7	G	9.0			
10	0.2	O	9.1			
11	5.0	IC1803	1	14.6		
12	GND	G	GND			
13	2.4	O	12.1			
14	2.1	IC1804	1	6.7		
17	2.5	G	GND			
18	0.2	O	5.0			
19	3.9	IC1805	1	4.8		
20	3.1	2	2.4			
21	0	3	2.4			
22	0	4	GND			
23	5.0	5	2.4			
24	5.0	6	2.4			
25	0	7	4.8			
30	0.1	8	9.0			
31	0					

All voltage are in V.
 Pin numbers which are not described are not used.

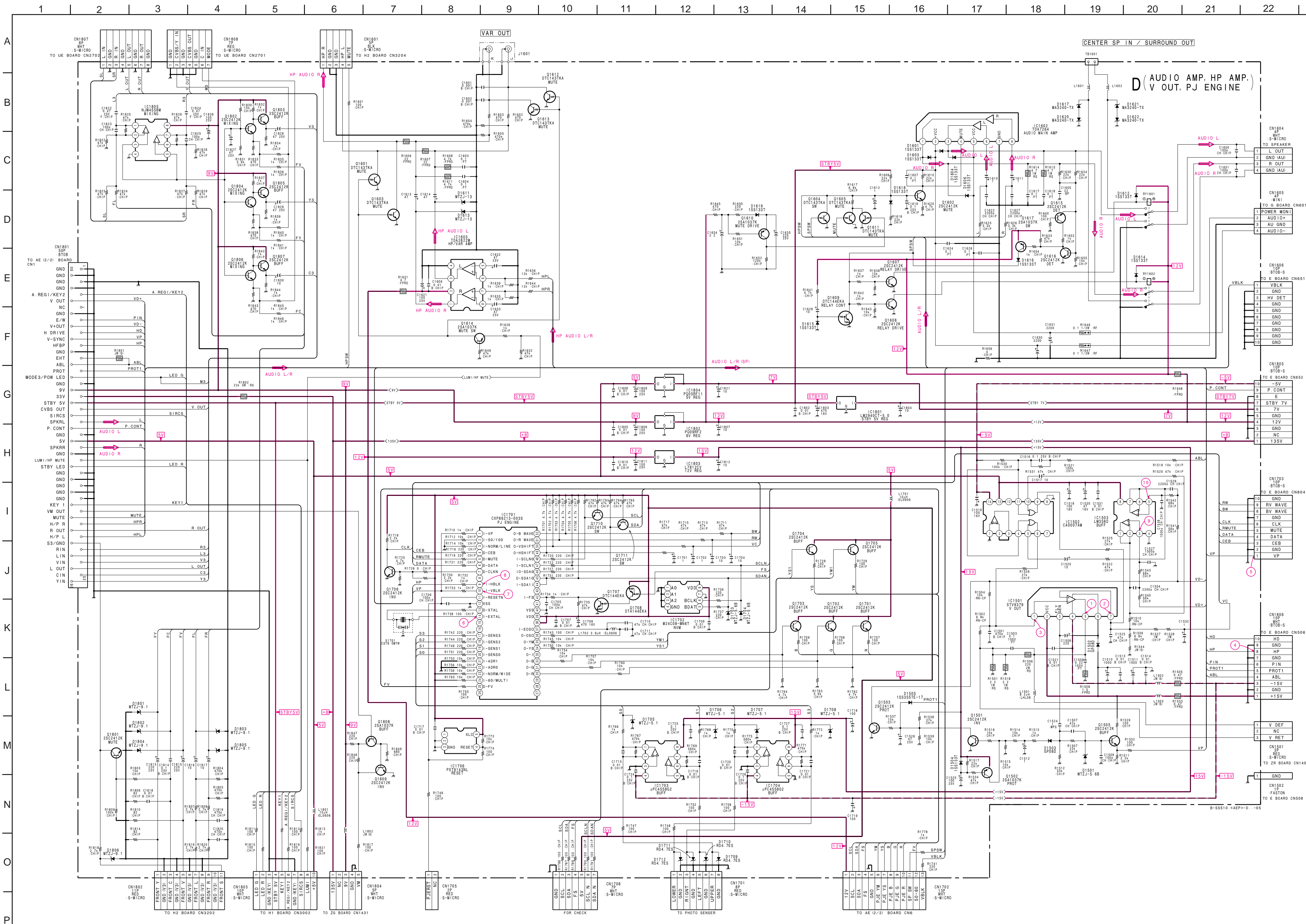
Schematic diagram
 ← E board

D BOARD TRANSISTOR VOLTAGE LIST

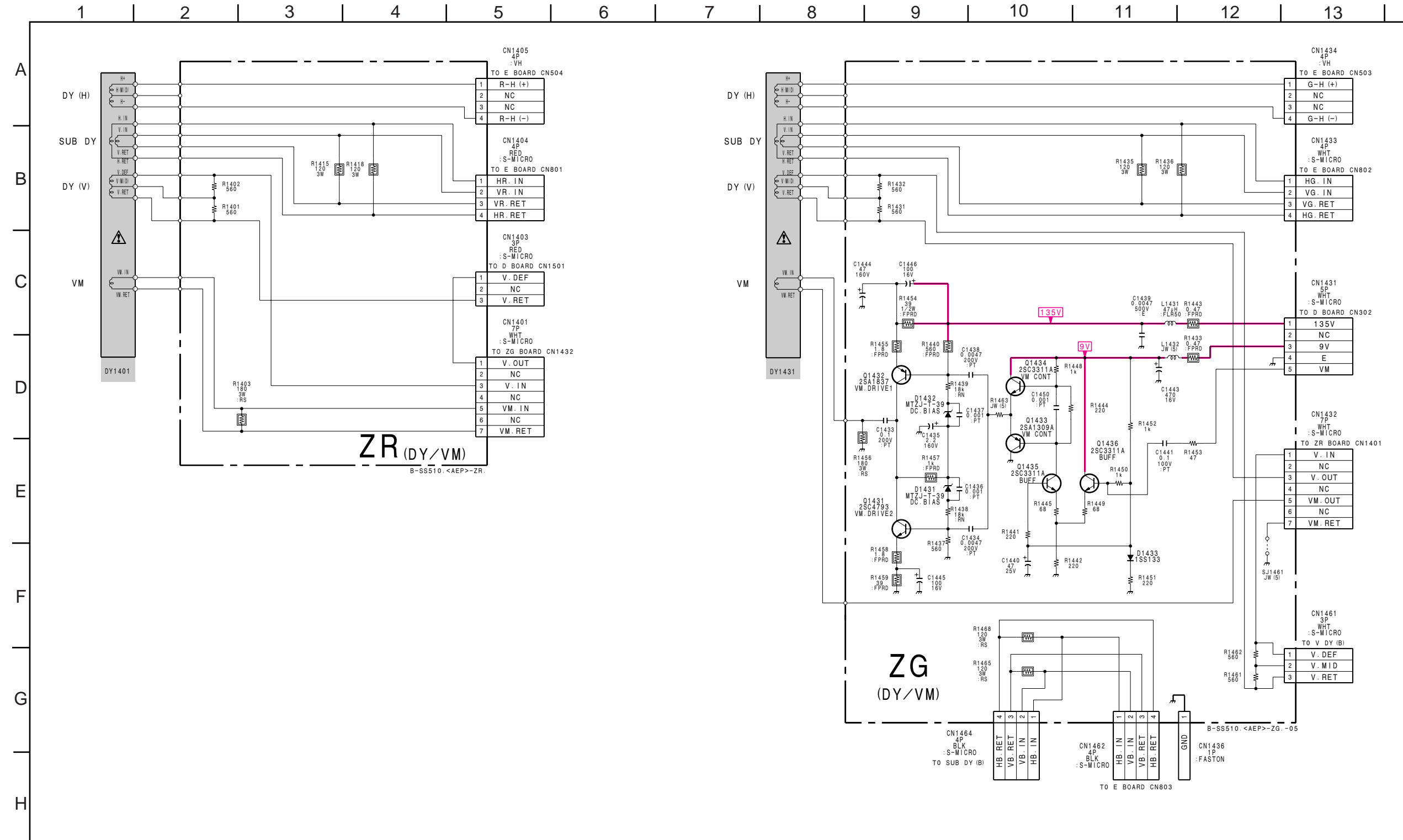
REF.	VOL.	REF.	VOL.
Q1501			
B	0.7	B	0.1
E	GND	E	0.2
C	0	C	5.0
Q1502			
B	14.5	B	0
E	0.2	E	0
C	2.0	C	5.0
Q1503			
B	0	B	0
E	GND	E	0.2
C	3.0	C	5.0
Q1505			
B	-0.5	B	0
E	0.2	E	0
C	14.4	C	5.0
Q1601			
E	GND	E	0
C	0	C	5.0
Q1602			
E	0.6	E	GND
C	20.7	C	4.7
Q1603			
E	GND	E	GND
C	0	C	5.0
Q1604			
E	GND	E	5.0
C	1.1	C	0
Q1605			
B	0.8	B	4.6
E	GND	E	4.7
C	0.1	C	4.7
Q1607			
B	0.3	B	4.6
C	13.9	C	4.0
Q1608			
E	GND	E	GND
C	13.9	C	2.4
Q1609			
E	GND	E	1.8
C	0.3	C	5.0
Q1610			
B	13.9	B	5.0
E	13.7	E	4.3
C	0.1	C	9.0
Q1611			
B	0	B	2.4
E	GND	E	1.7
C	0	C	5.0
Q1612			
B	0.7	B	5.0
E	GND	E	4.4
C	0	C	9.0
Q1613			
E	GND	E	1.8
C	0	C	5.1
Q1614			
B	0.2	B	5.1
E	0.8	E	4.4
C	0.7	C	9.0
Q1615			
B	0	B	5.8
E	0	E	6.4
C	0.2	C	0.7
Q1616			
B	0.2	B	0.7
E	GND	E	GND
C	0.2	C	1.2
Q1617			
B	11.7	B	0
E	11.8	E	0
C	0.4	C	0.4

All voltages are in V.

Schematic diagram
 ← D board



Schematic diagram



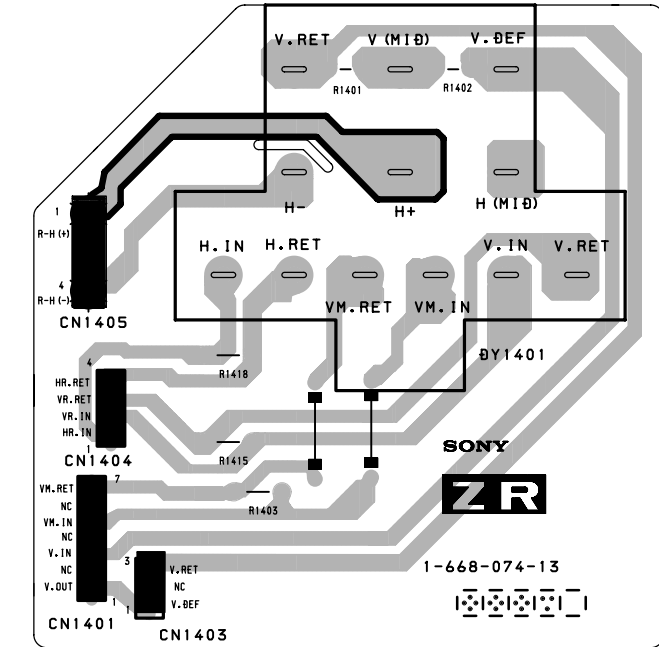
ZG BOARD TRANSISTOR VOLTAGE LIST

REF.	B	VOL.
Q1431	B	1.0
	E	0.5
	C	68.6
Q1432	B	134.5
	E	134.9
	C	68.6
Q1434	B	5.9
	E	6.1
	C	GND
Q1435	B	6.5
	E	6.1
	C	9.0
Q1436	B	2.2
	E	1.6
	C	9.0

All voltages are in V.

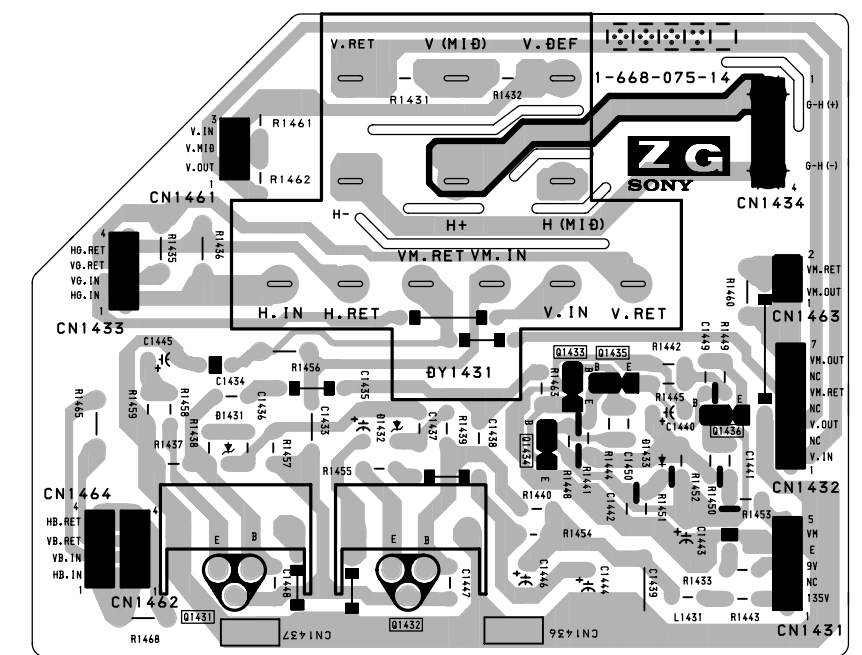
ZR [DY/VM]

- ZR Board -



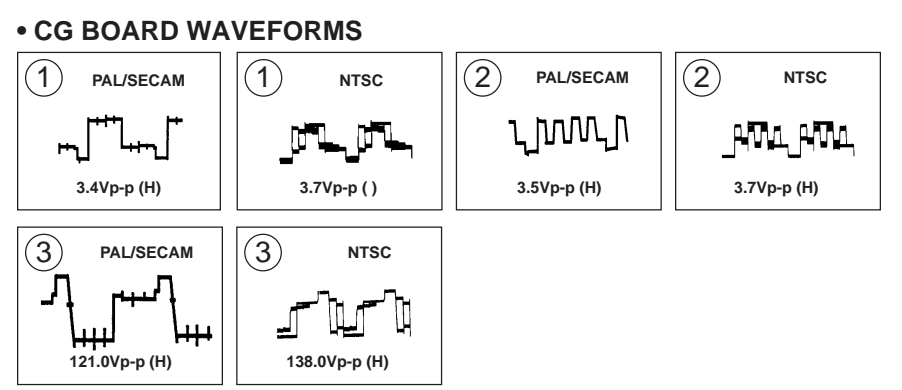
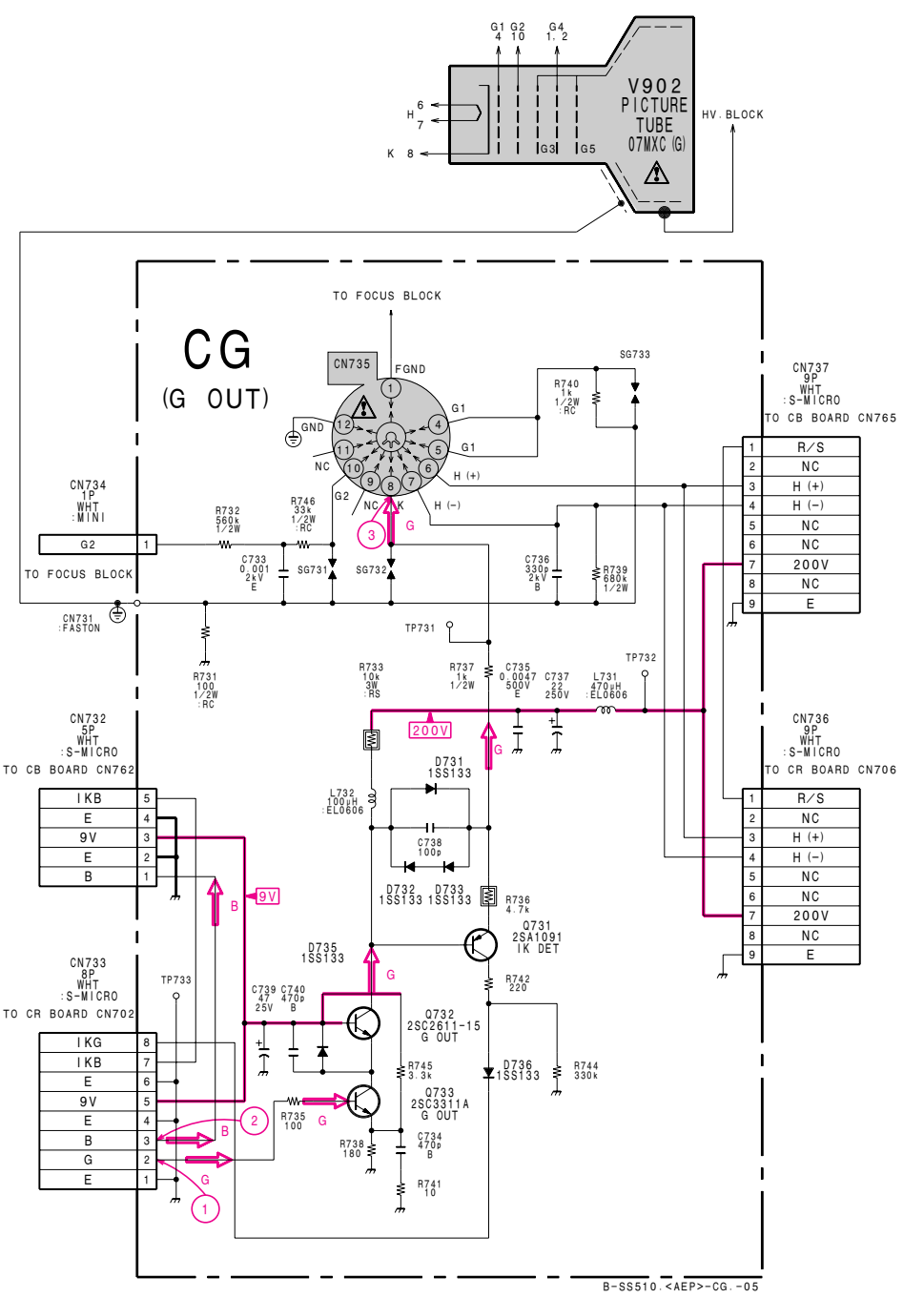
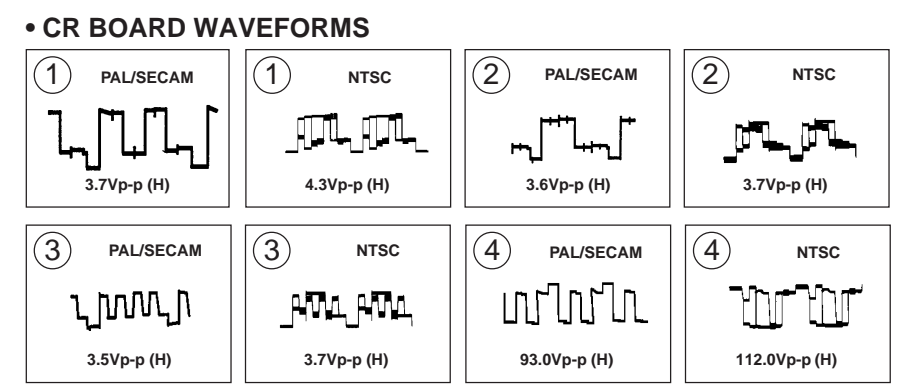
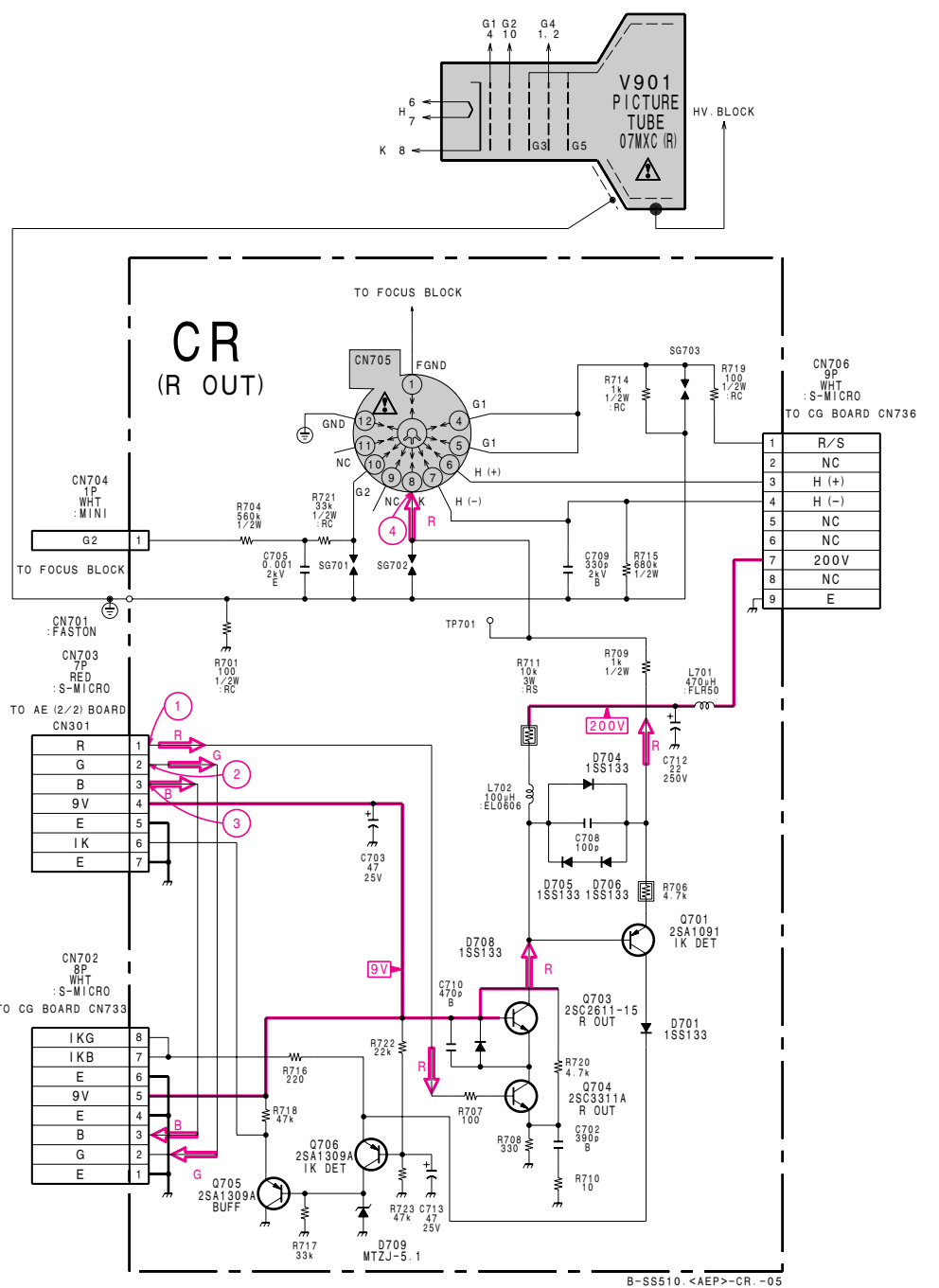
ZG [DY/VM]

- ZG Board -



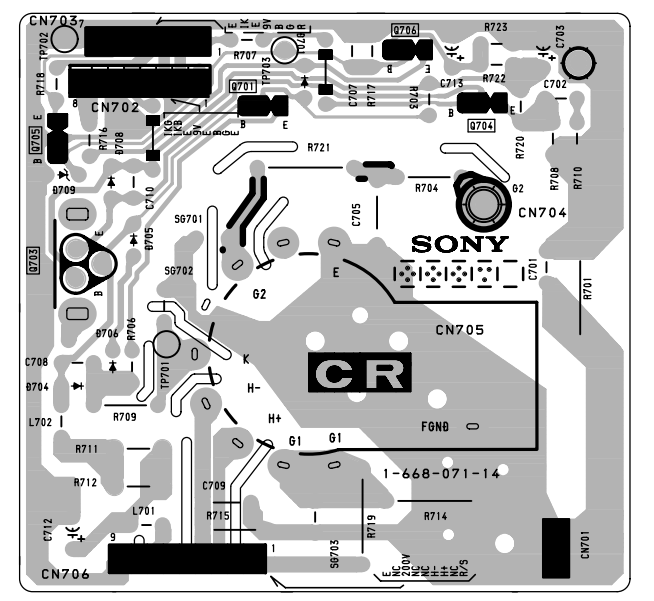
1 2 3 4 5 6 7 8 9 10 11 12 13 14 15

A
B
C
D
E
F
G
H
I
J



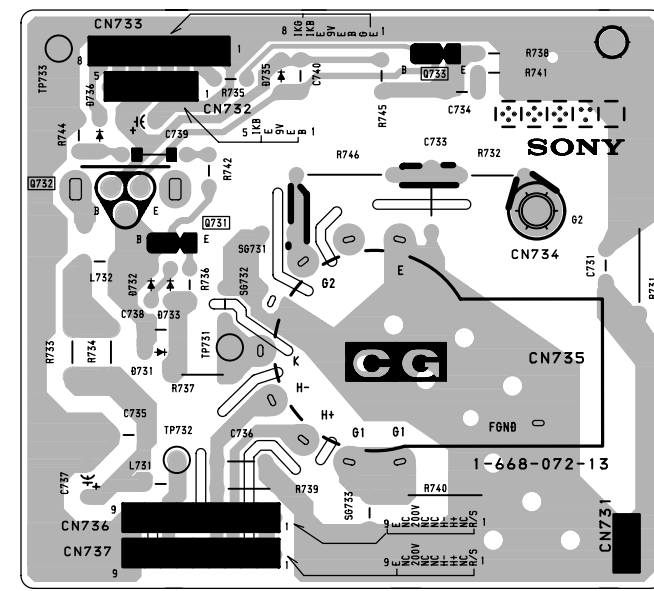
CR [R OUT]

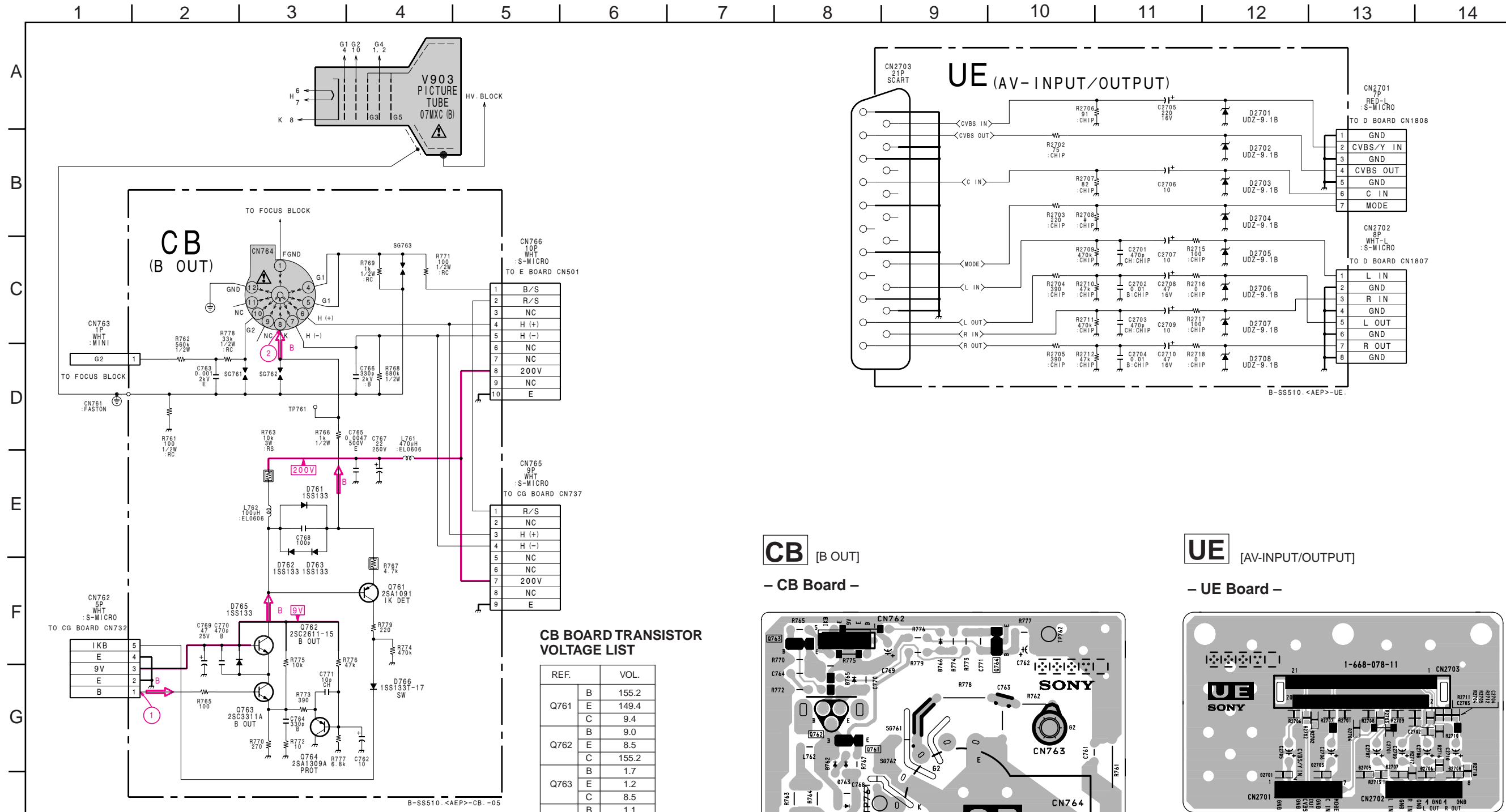
- CR Board -



CG [G OUT]

- CG Board -



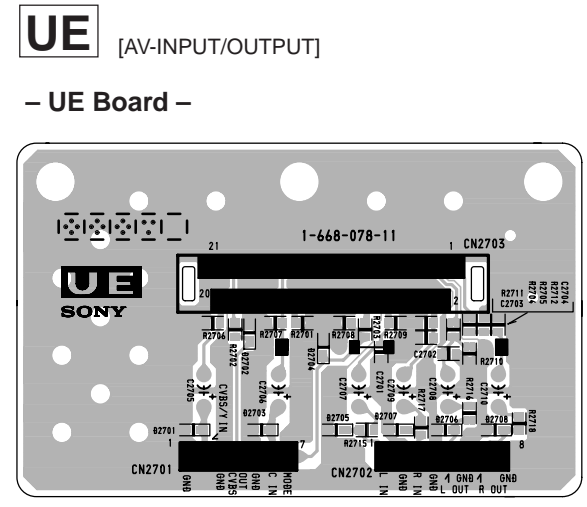
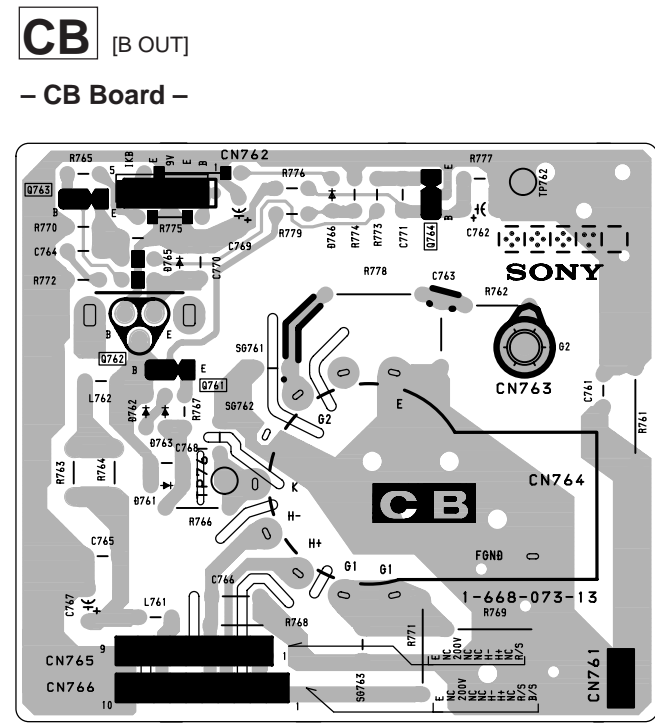
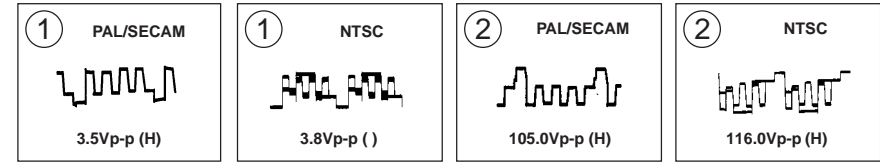


CB BOARD TRANSISTOR VOLTAGE LIST

REF.		VOL.
Q761	B	155.2
	E	149.4
	C	9.4
Q762	B	9.0
	C	155.2
	E	1.7
Q763	B	1.2
	C	8.5
	E	1.1
Q764	B	1.2
	C	GND
	E	GND

All voltages are in V.

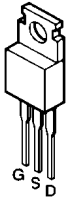
• CB BOARD WAVEFORMS



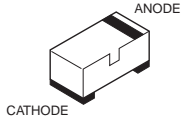
6-5. SEMICONDUCTORS

<p>CA0007AM M24C32-MW6T M24C08-MN6T μPC4558G2</p> <p>8pin</p>	<p>CXP86213-001S</p> <p>52pin</p>	<p>PM0002B</p> <p>42pin</p>	<p>STK392-150</p> <p>18pin</p>	<p>2SA1175-HFE 2SC2785-HFE</p> <p>LETTER SIDE</p>
<p>CA0007AD NJM2058D RC4560D TDA2822M TDA7264</p> <p>8pin</p>	<p>IR2112 μPC339C</p> <p>14pin</p>	<p>PQ05RF11</p> <p>12pin</p>	<p>TDA8395T/N3</p> <p>20pin</p>	<p>2SA1208 2SC1091-O</p> <p>LETTER SIDE</p>
<p>CXA1315M MC14052BDR2</p> <p>16pin</p>	<p>IR3M02A TDA4665T/V5-118</p> <p>16pin</p>	<p>PQ09RF2 TA7812S μPC2405HF</p> <p>12pin</p>	<p>M27C2001-12C1RW402</p> <p>32pin</p>	<p>2SB734-34</p> <p>LETTER SIDE</p>
<p>CXA2076Q-TL</p> <p>64pin</p>	<p>MSP3410D-PS-B4-T-ND SDA5273CP-GEG SDA5273-3CP</p> <p>68pin</p>	<p>PST593C-MMP-4P PST9143NL</p> <p>4pin</p>	<p>TOP209D</p> <p>8pin</p>	<p>2SC2611-15 2SC2688-LK</p> <p>LETTER SIDE</p>
<p>CXD2024AQ-T4 SDA30C263-GEG</p> <p>80pin</p>	<p>NJM7805FA NJM7905FA</p> <p>13pin</p>	<p>SBX1981-51</p> <p>3pin</p>	<p>DTA144EK-T146 DTC143TKA-T146 DTC144EK-T146 2SA1037K-T-146-R 2SA1162G 2SC1623-L5L6 2SC2412K-QR</p>	<p>2SC5022-02</p> <p>LETTER SIDE</p>
<p>CXD2044Q-TL</p> <p>80pin</p>	<p>PA0053B</p> <p>18pin</p>	<p>SE135N</p> <p>3pin</p>	<p>DTC144ESA-TP</p>	<p>2SC4632LS-CB7 2SD2539 (LBSony-1)</p> <p>LETTER SIDE</p>
<p>PC123F2</p> <p>18pin</p>	<p>STV9379</p> <p>7pin</p>			

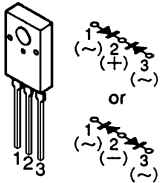
2SK2251-01-F119



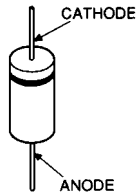
BAS216



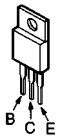
D10SC6M-4012



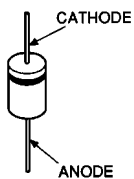
D2S4M
D4SBS4-F



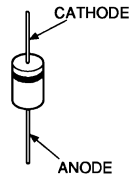
IRFI744G-LF



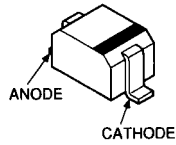
EL1Z
GP08D
MTZ-T-77-9.1A
S2L40F
UF4005PKG23



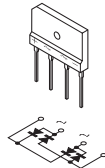
ERC06-15S
ERD29-08J
S2LA20F



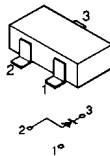
DTZ33B
DTZ6.8B
DTZ9.1
RD5.6S-B
UDZ-TE-17-6.8B
1SS355TE-17



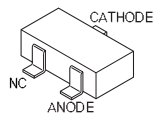
D6SB6OL
RBA-406B



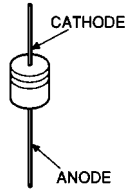
MA3030-H(TX)



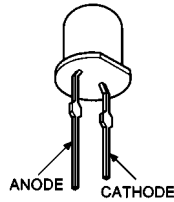
MA3240-TX



MTZJ-13
MTZJ-30B
MTZJ-7.5B
RD13ES-B2
RD20ES-B2
RD3.6ES-B1
RD39ES-B2
RD4.7ESB2
RD4.7ES-TIB
RD5.1ES-B1
RD5.1ES-B2
RD5.6ES-B2
RD7.5ES-B2
1SS119-25
1SS133T-77



SLA-580LT3F



U05G

